

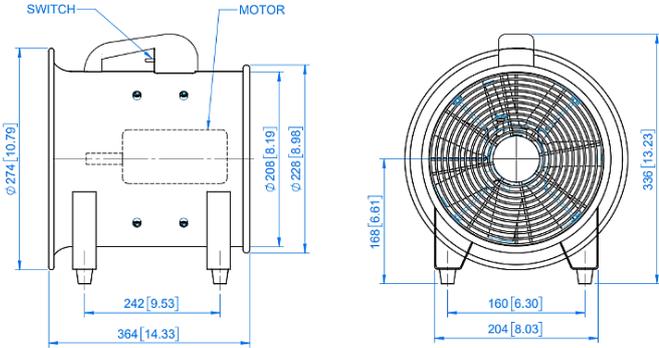


# TECHNICAL DATA

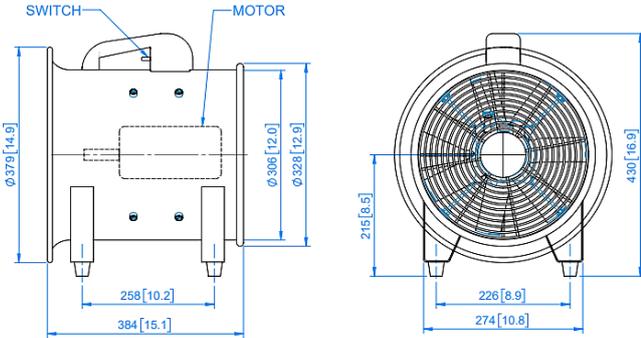
RELEASED: 10/10/2024  
 REVISED:  
 REV: 00

## Electrical Ventilation Fans – VF200 / VF300 & SVF200 / SVF300

### DIMENSIONAL DATA – VF200

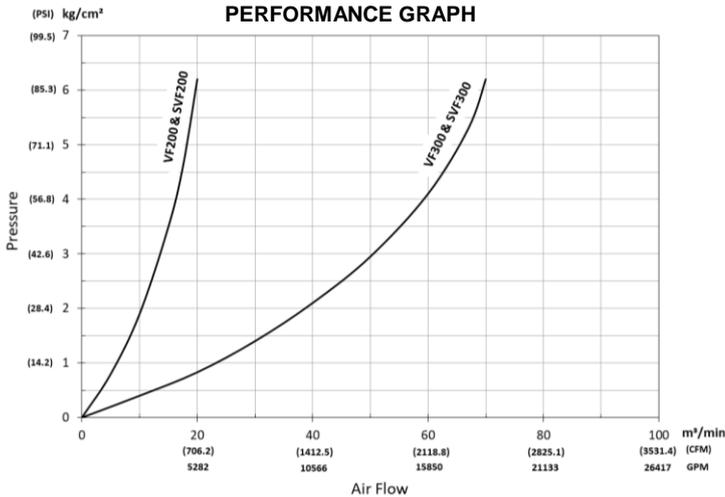


### DIMENSIONAL DATA – VF300



NOTE: Dimensions are shown in [inch] mm

### PERFORMANCE GRAPH



### PERFORMANCE DATA

#### Casing Dia

VF200	[7.87inch] 200mm
SVF200	[7.87inch] 200mm
VF300	[11.81inch] 300mm
SVF300	[11.81inch] 300mm

#### Air Flow

VF200	0-20m³/min
SVF200	0-20m³/min
VF300	0-70m³/min
SVF300	0-70m³/min

#### Electric Source

VF200 (100V)	100V-1ph
SVF200 (100V)	100V-1ph
VF200 (200V)	200V-1ph
SVF200 (200V)	200V-1ph
VF300 (100V)	100V-1ph
SVF300 (100V)	100V-1ph
VF300 (200V)	200V-1ph
SVF300 (200V)	200V-1ph

#### RPM

VF200 (100V)	3000rpm
SVF200 (100V)	3000rpm
VF200 (200V)	3000rpm
SVF200 (200V)	3600rpm
VF300 (100V)	3000rpm
SVF300 (100V)	3000rpm
VF300 (200V)	3000rpm
SVF300 (200V)	3600rpm

#### Motor

VF200 (100V)	0.12Kw
SVF200 (100V)	0.12kW
VF200 (200V)	0.12Kw
SVF200 (200V)	0.12kW
VF300 (100V)	0.55Kw
SVF300 (100V)	0.55kW
VF300 (200V)	0.55Kw
SVF300 (200V)	0.55kW

### MATERIAL OF CONSTRUCTION

PARTS	MOC	
	VF200 & SVF200	VF300 & SVF300
Housing	M.S. (Powder coated)	
Fan	Aluminium	
Grill	Stainless Steel (316)	
Fasteners	Stainless Steel (302)	

### WEIGHTS & FINISH

Air Driven Fans	Weight	Finish
VF200 & SVF200 (100V-1ph)	9 kgs (19.9 lbs)	RAL 1004, Yellow
VF200 & SVF200 (200V-1ph)	9 kgs (19.9 lbs)	RAL 1004, Yellow
VF300 & SVF200 (100V-1ph)	15 kgs (33.0 lbs)	RAL 1004, Yellow
VF300 & SVF200 (200V-1ph)	15 kgs (33.0 lbs)	RAL 1004, Yellow