

Teryair mucking winches are designed for extracting muck and sludge like deposits from tank floors. All capacities feature galvanized non spinning wire ropes. A worm wheel gear box multiplies torque and prevents load slippage even when not powered.

Features

- Galvanized non-spinning hoisting cable.
- Non sparking safety hook.
- Powerful air motor.

Applications

- For tank cleaning.



MCW100

MCW300

Technical data

IMPA Code	Teryair Model No	Lifting Capacity Kgs	Lifting	Wire Rope	Wire Rope	Air Hose Diam mm	Weight
			Speed (m/min)	Diameter mm	Length m		
590601	MCW100	50	35	4	33	15	62
590602	MCW100	75	35	4	33	15	62
590603	MCW100	100	30	4	33	15	62
590604	MCW200	150	25	4	40	19	64
590605	MCW200	200	30	4	40	19	64
590606	MCW300	250	20	4	40	19	69
590607	MCW300	300	30	4	40	19	69

Standard equipment included assembled

FRL unit, a forged hook, wire rope, forward and reverse valve, all hoses and connectors and air motor and gearbox. Neoprene rubber buckets are available as extras

IMPA number	Teryair Model Number	Standard Equipment
590601	MCW100	5665015, ½" FRL Unit, Wire Rope 33 meters
590602	MCW100	5665015, ½" FRL Unit, Wire Rope 33 meters
590603	MCW100	5665015, ½" FRL Unit, 5665005, Wire Rope 33 meters
590604	MCW200	5665015, ½" FRL Unit, Wire Rope 40 meters
590605	MCW200	5665015, ½" FRL Unit, Wire Rope 40 meters
590606	MCW300	5665015, ½" FRL Unit, Wire Rope 40 meters
590607	MCW300	5665015, ½" FRL Unit, Wire Rope 40 meters

Accessories and spares

10 Litre Neoprene Bucket, RB10 IMPA 590611

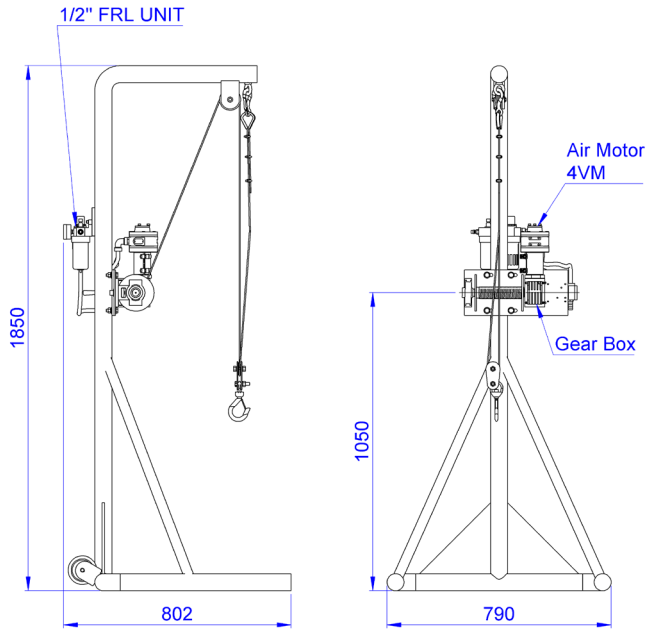
20 Litre Neoprene Bucket, RB20 IMPA 590612



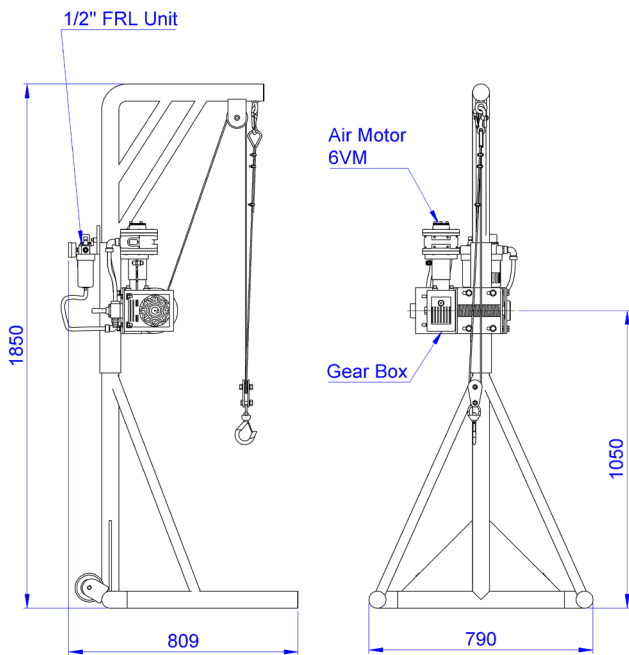
Package dimensions and weights

Teryair Model No	Weight kgs	Box Dimensions cms
MCW100	72.0	79 x 79 x 201
MCW200	75.0	79 x 79 x 201
MCW300	85.0	79 x 79 x 201

Dimension drawing



MCW100



MCW300