

Teryair Long Reach Scalers are available in different long lengths to access hard to reach areas. Excellent for removal of corrosion and layers from floors and surfaces. A variety of accessories of chisels and blades are available depending on the type of layer that needs removing. All accessories are quick change

Features

- Hardened steel cylinder - durable.
- Pistol grip handle.
- Choice of needle sizes.
- High power to weight ratio.
- Lightweight - easy to use and manoeuvre.
- Simple to maintain - few moving parts.
- Quick change retainer system
Chisels and accessories can be changed quickly.

Applications

- Great for removal of salt water corrosion and marine growth on cargo ships decks.
- Chipping and scaling in hard to reach areas.
- Great for removal of tiles/ carpet from floors.
- Removal of stubborn adhesives from floors.



LR Series

Technical data

IMPA Code	590451	590452	590453	590454
Teryair Model No	LR076	LR116	LR146	LR176
BPM	2200			
Air Consumption ltrs/sec (cfm)	2.1 (4.5)			
Length mm	760	1160	1460 mm	1760
Weight kgs (lbs)	4.6 (8.2)	5.2 (11.51)	5.8 (12.9)	6.3 (13.9)

Standard equipment included

IMPA Code	LR076	LR116	LR146	LR176
Teryair Model No	JB0222FC4, 5/8" Hex Chisel , 8" Long			

Accessories and spares

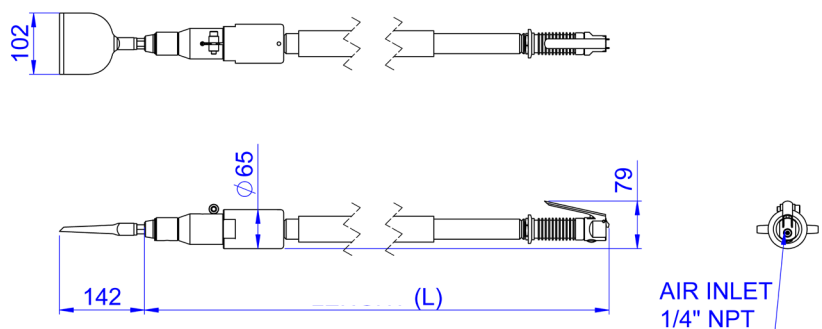
See list on page 25

Package dimensions and weights

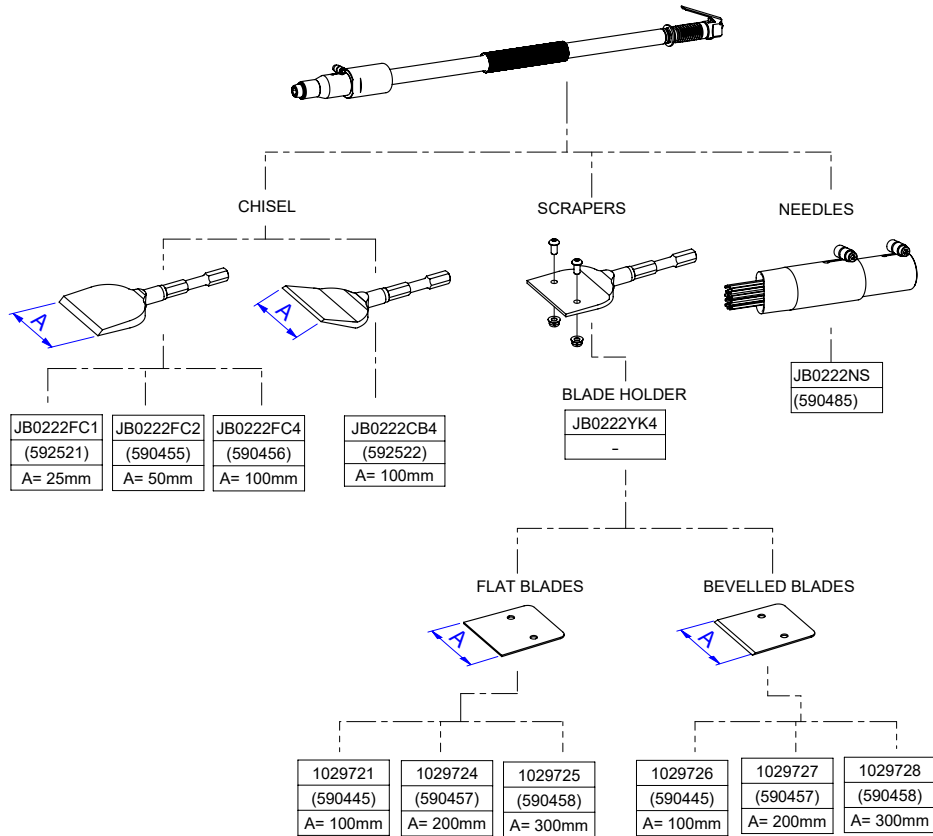
Teryair Model No	Weight kgs	Box Dimensions cms
LR076	6.5	79 x 10 x 8
LR116	7.0	121 x 10 x 8
LR146	7.5	144 x 10 x 8
LR176	9.0	173 x 10 x 9

Models	Length (L) mm
LR076	760
LR116	1160
LR146	1460
LR176	1760

Dimension drawing



Accessories for Long Reach Scalers



IMPA Code	Teryair Model No	Teryair Model No
Chisels mm (inch)		
592521	25 (1)	JB0222FC1
590455	50 (2)	JB0222FC2
590456	100 (4)	JB0222FC4
Chisel for Floor Tile Removal		
592522	100 (4)	JB0222CB4
Yoke Retainer with fasteners		
	100 (4)	JB0222YK4
Scrapers - Flat		
590445	100 (4)	1029721
590457	200 (8)	1029724
590458	300 (12)	1029725
Scrapers - Bevelled		
590445	100 (4)	1029726
590457	200 (8)	1029727
590458	300 (12)	1029728
Needle Attachment		
590485	-	JB0222NS