

Teryair Compressed Air Driven Fans are used for efficient drying and ventilating of large areas in tankers and other vessels. These fans are turbine driven by compressed air.

Features

- ATEX air motor with filter, regulator and lubricator built in.
- Aluminum fan blades for durability.

Applications

- High performance ventilation of gasses from large enclosed areas.
- Ventilation of tanks which requires a deep penetration.

Technical data

IMPA Code	591446	591447
Teryair Model No	PTF-300	PTF-400
Outlet Bore Dia mm	300	400
Capacity m ³ /min	130	210
Recommended Air Pressure bar (psi)	6.2 (90)	6.2 (90)
Air inlet & Outlet inch	1/2 NPT	1/2 NPT
Hose Dia mm	50	50
Weight kgs	30.0	40.0



PTF300

PTF400

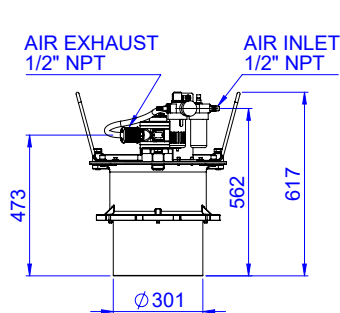
Standard equipment included

PTF-300	PTF-400
6VMLALEXR - Air Motor - 1 pc	
8015001 FRL Unit - 1pc	

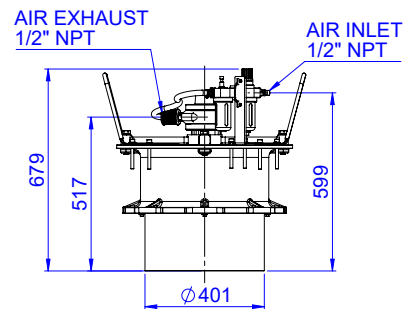
Package dimensions and weights

Teryair Model No	Weight kgs	Box Dimensions cms
PTF-300	32.0	46 x 44 x 44
PTF-400	42.0	52 x 29 x 52

Dimension drawing



PTF300



PTF400