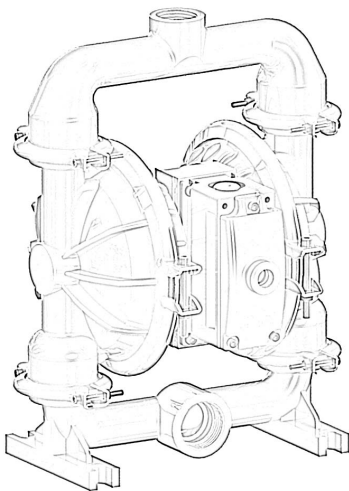
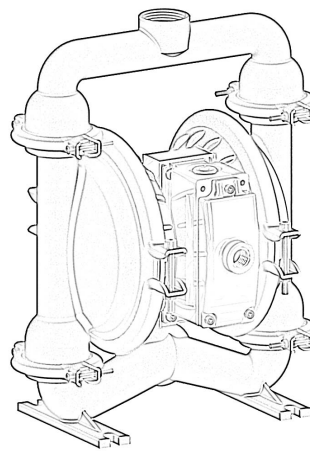




Operation and Maintenance Guide



SDP 40 AL N/B/S/H/V/T



SDP 40 SS N/B/S/H/V/T

SDP 40 Aluminum / Stainless Steel Construction, All variants

Models	Descriptions
SDP 40 AL N/B/S/H/V/T	Aluminum with Neoprene, Buna N, Santoprene, Hytrel, Viton and PTFE fitments
SDP 40 SS N/B/S/H/V/T	Stainless Steel with Neoprene, Buna N, Santoprene, Hytrel, Viton and PTFE fitments

Read this manual carefully before installing, operating or servicing this equipment. It's the responsibility of the employer to ensure this manual is read by the operator. Please preserve this manual.

This document is issued with Product Serial No

Table of Contents

3	Pump Nomenclature
3	Operating and Safety Instructions
4	Operating Instructions
5	Suggested Lubricants
6	Suggested site selection and installation recommendations
7	Troubleshooting
8	Maintenance
8	Disassembly and Re assembly
11	Re-Assembly
12	Bill of Materials for SDP 40 ALN Pumps
13	Exploded View for SDP 40 AL/SS Pump
14	Bill of Materials for SDP 40 ALB Pumps
15	Bill of Materials for SDP 40 ALS Pumps
16	Bill of Materials for SDP 40 ALH Pumps
17	Bill of Materials for SDP 40 ALV Pumps
18	Bill of Materials for SDP 40 ALT Pumps
19	Bill of Materials for SDP 40 SSN Pumps
20	Bill of Materials for SDP 40 SSB Pumps
21	Bill of Materials for SDP 40 SSS Pumps
22	Bill of Materials for SDP 40 SSH Pumps
23	Bill of Materials for SDP 40 SSV Pumps
24	Bill of Materials for SDP 40 SST Pumps
25	Repair Kits for SDP 40 ALX Pumps
25	Dimensional Data
25	Repair Kits for SDP 40 SSX Pumps
25	Air Valve Replacement Kits for SDP 40 ALX Pumps
26	Repair and Replacement Kits
27	Eu Declaration Of Conformity
29	Summery For The Atex Rating For Teryair Aodd Models
30	Warranty Certificate

Pump Nomenclature

XX	XX	XX	X	X	X
Air Valve Type	Pump Size	Material of Construction	Material of Diaphragm	Bolted or Clamped	Threading on Inlet and Outlet
DP - Classic ADP - Advanced SDP - MaxFlo	06 - 1/4"	AL - Aluminium	B - Nitrile N - Neoprene S - Santoprene T - PTFE V - Viton H - Hytrel	B - Bolted C - Clamped	R- NPT G - BSPT P - BSPP F - Flanged
	12 - 1/2"				
	15 - 1/2"	SS - Stainless Steel 316L			
	25 - 1"				
	40 - 1 - 1/2"	PP - Polypropylene			
	50 - 2 "	CI - Ductile Iron			
	75- 3"				
100 - 4"					

Operating and Safety Instructions

Warning: Static Electricity

Static sparks can cause explosion resulting in severe injury or death.

Ground the pump and the pump connections like hoses and containers into which or from the fluid is being transferred. Connect the grounding wire to any bolt on the pump.

Check continuity of electrical path to ground at regular intervals.

Consult local building and electrical codes for grounding requirements where needed.

Use hoses containing a grounding wire.

Warning: Pump Exhaust

In case of a diaphragm failure, fluid being pumped may spray out from the exhaust of the pump. This may cause severe injury depending on the fluid being pumped.

If the fluid is hazardous, pipe away the exhaust to a safe remote location using a generous diameter pipe preferably with a grounding arrangement, and refit the muffler at the end of this arrangement.

Always wear safety glasses while in the vicinity of an operating pump.

Warning: Overpressure / Hazardous Pressure

Do not exceed the max supply air pressure of 125 PSI.

Make sure all connected hoses and pipelines are rated to operate safely with the pressures generated by pump of 125 PSI.

Do not open or handle pump or hoses while pressurized.

Disconnect air supply line and relieve pressure from the system by carefully opening discharge and supply lines.

Warning: Hazardous Materials

Do not move a pump that contains hazardous fluids trapped inside it. Please observe prescribed handling and safety codes. Drain the pump safely, by turning it upside down and collecting the fluid safely, before moving the pump.

Warning :Explosion

Please check compatibility of fluids intended to be handled with the materials of construction of the pump. Severe reactions and explosions may occur if materials are incompatible. Caution: Chemical compatibility

Please check that the fluid being pumped is compatible with the wetted parts of the pump. Refer Cole Parmer compatibility (<http://www.coleparmer.in/Chemical-Resistance>) guide for details. Note that chemical compatibility may change with temperature; take this into account while selecting pump material.



Caution: Structural support

Please refer figure 1 and ensure that the piping system is independently supported and does not load the pump. The pumps are not designed to take the continuous and often pulsating load of a piping system. Important to use a flexible connection between rigid piping and pump casings.



Caution: Running dry, disconnection of hoses when not in use

Although these pumps can be run dry for long periods, it is advisable to avoid this as it causes unnecessary wear of wearing parts.



Caution: Operator understanding

Please ensure that all operators have read this manual and have the required understanding of safe working practices and are equipped with safety equipment when working on/ around the pump.



Caution: Using genuine teryair fittings & spares

Use genuine teryair parts to ensure correct pump operation and maximize life.



Warning Conditions for Certification

1. Control of Environmental humidity to minimize the generation of the static electricity.
2. Protection from direct airflow causing a charge transfer.
3. Touch with an insulating object to avoid electrostatic charge hazard.
4. Clean the surface with damp cloth only to avoid electrostatic charge hazard.

Operating Instructions

The Teryair Stroke diaphragm pump generates a alternate stroking of the diaphragms against the fluid in the liquid chambers of the Pump. This reciprocatory action is responsible for the fluid being pumped.







It is possible to control the output of the pump by controlling the supply air pressure.

It is also possible to control the output of the pump by throttling action on the fluid flowing in the outlet piping by means of a valve. if such a valve is shut completely the pressure in the discharge piping increases to a point when the pressure at pump discharge equals it and the pump comes to a stop. This causes no damage to the pump and the pump consumes no more energy.

Upon opening of the valve, the pump starts reciprocating once again and resumes fluid delivery.



Caution: Temperature limitations and diaphragm options

Neoprene		An excellent general-purpose diaphragm for use in non-aggressive applications such as water-based slurries, well water or sea water. Exhibits excellent flex life and low cost. Temperature range -18°C to +93°C (0°F to +200°F)
Nitile		Excellent for applications involving petroleum / oil-based fluids such as leaded gasolines, fuel oils, non-synthetic hydraulic oils, kerosene, turpentine and motor oils. Temperature range -12°C to +82°C (+10°F to +180°F)
Santoprene		Good abrasion resistance. Low cost. Can handle mild acids and alkalis well. Excellent low cost alternative to ptfе. Excellent suction capabilities Excellent general purpose diaphragm. Temperature range -40°C to +107°C (-40F to +225°F)
Hytrel		Good abrasion resistance. Low cost. . Excellent suction capabilities Good general purpose diaphragm. Temperature range -29°C to +104°C (-20°F to +220°F)
Viton		Excellent for use in applications requiring extremely hot temperatures. May also be used with aggressive fluids such as aromatic or chlorinated hydrocarbons and highly aggressive acids. Especially where high suction lift is important. Temperature range -40°C to +177°C (-40°F to +350°F)
PTFE		Excellent choice when pumping highly aggressive fluids such as aromatic or chlorinated hydrocarbons, acids, caustics, ketones and acetates. Temperature range +4°C to +104°C (+40°F to +220°F)

Suggested Lubricants

Brand	Above 27 Deg C	From 5 Deg C to 27 Deg C	Below 5 Deg C
Shell	Toona R 72	Toona R 41	Toona R 27
Mobil	Almo 529	Almo 527	Almo 525
Esso	--- --	Arox EP 65	Arox EP 45
Caltex	Rando Oil 150	Rando Oil 100	Rando Oil 46
Texaco	Regal Oil F	Regal Oil PE	Regal Oil B
Daltron	Silkolene 881	Silkolene 548	Silkolene 773
Burmah Castrol	RD Oil 3	RD Oil Light	Megna SPX
BP	RD 220 HP60C	RD150 HP20C	RD80 HP10C
Duckham	Garnet 7	Garnet 6	Zero Flo 5
Sternol	Merlin 87	Merlin 71	Merlin 54
Petrofina	Purifoc 53	Purifoc 46	Purifoc 32
Chevron	Vistac Oil 18X	Vistac Oil 19X	Vistac Oil 9X

Suggested site selection and installation recommendations

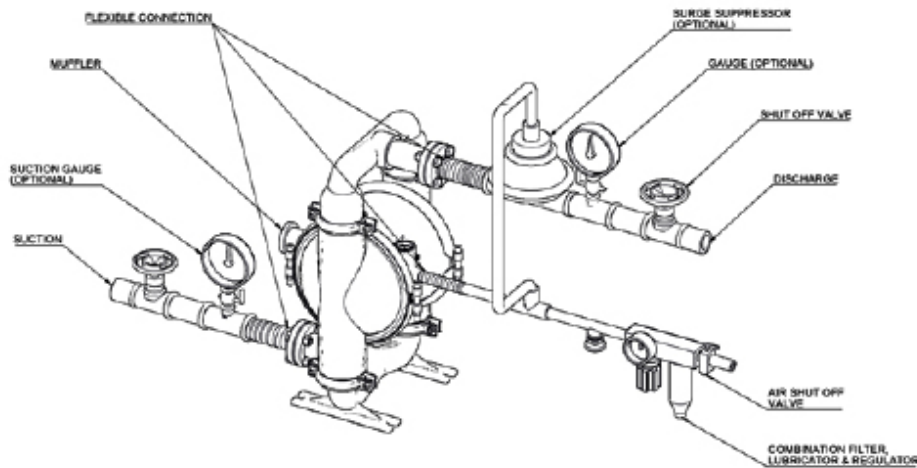


Figure 1

Location selection

Pump location must be easily accessible with reasonable space around for maintenance operations.

Pump dimensional data for each variant is available in section showing exploded views

Air supply

Compressed air at 90 PSI (Stroke pumps can take a max of 125PSI), free from moisture and having an oil mist is essential. Use of a filter (50 microns), a lubricator and a regulator is highly recommended and should be installed as close as possible to the pump inlet.

Ensure correct grade of oil is used in the lubricator bowl. Too thick oil may slow down the valve shifting mechanism and affect pump performance. See suggested lubricants on page no 5.

Piping

see section on safety if used in hazardous area)

See Figure 1.

Suction side 1-½ inch or larger, non-collapsible

Delivery side 1-¼ inch or larger.

A minimum number of bends and fittings to be used.

A flexible connection between suction, delivery and air supply piping is highly recommended such that piping stresses and loads do not transfer to pump housing.

Select piping materials such that chemical compatibility is

maintained with the fluid being pumped.

Suction

Ensure that the suction head after installation is well within the pumps suction capabilities

Muffler

Use of supplied muffler is recommended to bring pump operation sounds down to comfortable levels, in case of hazardous fluids handling, please read section of safety regarding piping away of exhaust see (Warning: Pump Exhaust) earlier in this manual.

Troubleshooting

Serial No	Description	Causes	Remedial Action
1	Pump stops and will not start	Insufficient Air Pressure	Check air pressure is as recommended at the pump air inlet
		Air Filter Blocked	Check if debris has clogged the inlet filter on the FRL unit/pump inlet air valve (some models have air filter on the air inlet valve) and ensure clear passage of air
		Internal damage or excessive wear on components	roceed to dismantle the pump, examine component for wear, replace any worn components, re assemble carefully as instructed in this manual and re start the pump.
2	Pumps runs slowly, poor delivery	Cavitation	Check if cavitation is occurring in the suction side, if so reduce suction vacuum by slowing down the pump.
		Worn Balls and Seats	Check proper sealing action of balls against seals, these components need to be replaced as a set if they are worn.
		Insufficient or wrong lubricant in the air supply.	Ensure that the lubricant is as per the recommended chart, a thicker lubricant often makes the air valve work sluggishly
		Internal damage or excessive wear on components	Proceed to dismantle the pump, examine component for wear, replace any worn components, re assemble carefully as instructed in this manual and re start the pump.
3	Pump air valve frerzes	Excessive moisture in supply air line.	Ensure that the dew point of the supplied air is low enough. Install a air dryer or moisture separator on the supply line
4	Air bubbles in pump discharge or product sprays out of exhaust vent	Broken Diaphragm	Proceed to dismantle the pump, examine component for wear, replace any worn components, re assembly carefully as instructed in this manual and re start the pump
		mproper seal between inner pistons, outer pistons and shaft.	
		Air leakage into product from balls / seats area	
		Air sucked into suction pipeline due to insufficiently tight joints on suction pipeline.	

Maintenance

Regular inspection and maintenance schedules will greatly enhance the life of the pump and will ensure a trouble free and safe working environment with little chance of breakdowns. Follow the instructions clearly in “Disassembly and Reassembly” of the pump and in the troubleshooting section.

Use genuine Teryair spares and if possible mention the serial number of the pump when ordering spares.

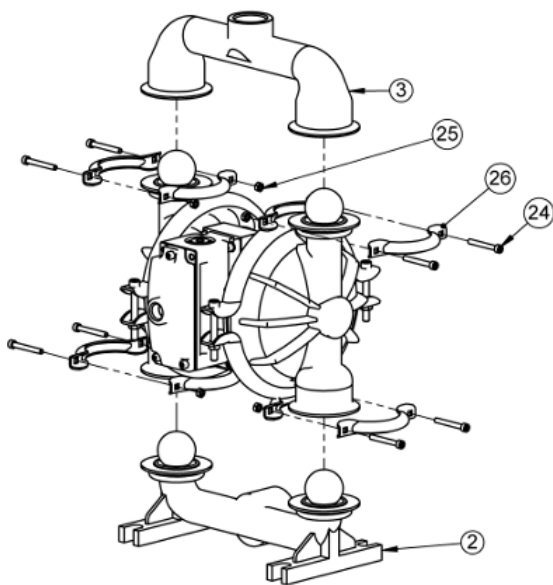
Always replace elastomers as a set, eg diaphragms, balls and seats.

Disassembly and Re assembly

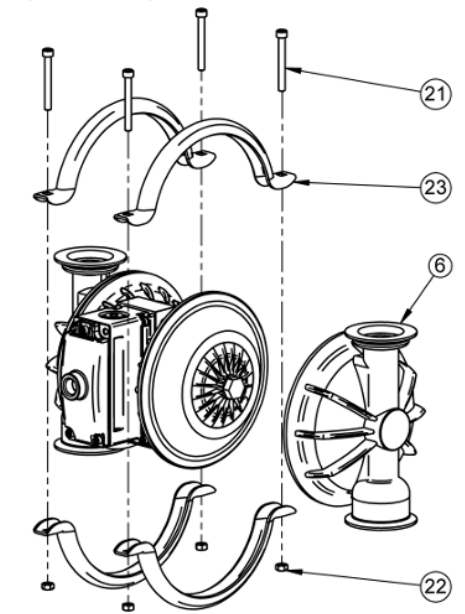
- Shut off air supply and allow residual Pressure to bleed off.
- Disconnect air supply
- Disconnect suction and discharge piping
- Turn pump upside down allow process fluid to drain away. If fluid is hazardous due care should be taken.
- Make a mark to indicate the positioning of each liquid chamber relative to the housing.

NOTE: Replace worn parts with genuine TERYAIR parts for reliable performance.

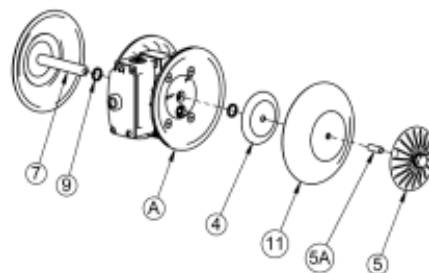
1. Replacement Of Diaphragms, Ball & Ball Seat.

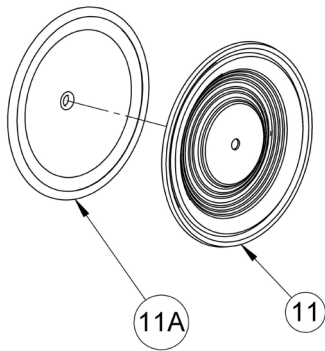


- Unscrew both bolt (24) & nut (25) as shown in the exploded view and proceed to remove the small clamp (26). Repeat for the other three small clamps. Remove the outlet (3) & inlet (2) respectively. Examine the balls, seals (and seats) for wear.



- Now unscrew hex socket head bolt (21) & nut (22) of any one side and proceed to remove the big clamp (23). Now remove the outer chamber (6). Now repeat the same procedure to remove the second outer chamber (6).





c. Now with the help of two spanners hold one of the across flat of one outer flange (5) and rotate the second outer flange (5) to disassemble it from the shaft (7). Remove the diaphragm (11), stud (5A) & inner flange (4). Now pull out the shaft (7) out of the shaft housing assembly (A).

*For ALT/SST series hold one of the across flat of hex. Bolt (5A) and rotate the second bolt (5A) to disassemble it from the shaft. Remove backup diaphragm (11), PTFE diaphragm (11A) & inner flange (4). Now pull out the shaft out of the shaft housing assembly (A).

d. For other side Diaphragm removal, Now hold the shaft (7) in a vice with proper packing. Care must be taken not to damage the shaft outer surface. Now remove the outer flange (5) with spanner.

*For ALT/SST series remove the bolt (5A) and remove the outer flange (5), Backup diaphragm (11), & PTFE diaphragm (11A).

e. Now replace the diaphragms (11). Ensure that diaphragm orientation is correct, i.e. For ALB/ALN/ALV the sticker side of the diaphragm (11) to be located in the outer chamber (6). Now assemble the outer flange (5) in reverse manner and remove the half shaft assembly from the vice. (* Refer fig. A) for ALT & SST model the convex side of outer ring PTFE diaphragm (11) to be located in outer chamber (6). For the backup diaphragm (11A) the larger side of outer ring to be located in shaft housing (1) & small in the concave groove of PTFE diaphragm (11).

* For ALS/ ALH model AIR SIDE marking to be located toward the shaft housing (A).

f. Lubricate the edge of the shaft with specified

lubricant. Slowly insert the shaft with rotating motion. Care should be taken not to damage the rubber rings (9). (Refer Image of step “c”)

g. Once the half shaft open portion comes out of the bush, follow the procedure in reverse manner as described in step (c),(b) & (a) and assemble the pump. (Refer Images of steps “c, b & a”)

2) Replacement Of Shaft O-Rings

a. For removing the rubber rings from bush, first follow the steps a, b c & d from the diaphragm replacement.

b. Now remove the seals (14) with the help of needle Nose pliers. Care should be taken not to damage the inner face of bush.

c. Once all the old seals are have been removed, the inside of the bushing should be cleaned to ensure no debris is left that may damage to new seals (Pressurized air is preferable).

d. These following tools can be used to aid in the installation of new seals:

- Needle Nose pliers
- Phillips Screwdriver
- Electrical Tape

Fig. A

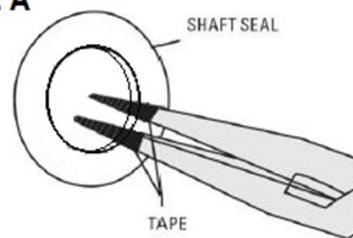
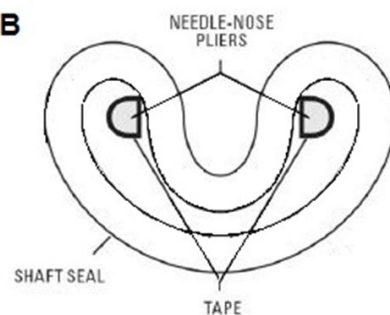


Fig. B



e. Wrap electrical tape around each leg of the

needle nose pliers (heat shrink may also be used) . This is done to prevent damaging the inside portion of the new seals.

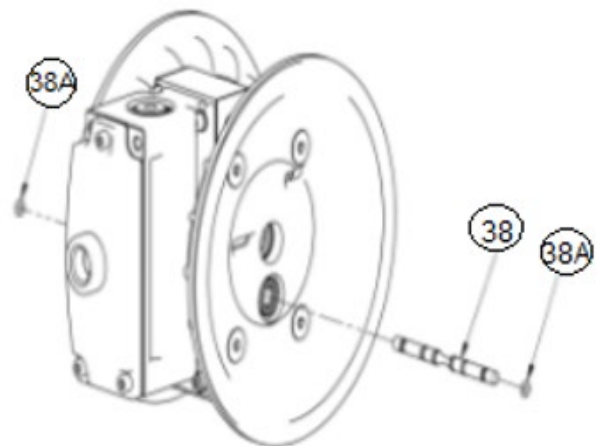
- f. With a new seal in hand, place the two legs of the nose pliers inside the seal ring. Open the pliers as wide as the seal diameter will allow, then two fingers pull down on the top portion of the seal to form kidney bean shape. (Refer Fig. A)
- g. Lightly clamp the pliers together to hold the seal into the kidney shape. Be sure to pull the seal into as tight of a kidney shape as possible, this will allow the seal to travel down the bushing bore easier. (Refer Fig. B)
- h. With the seal clamped in the pliers, insert the seal into the bushing bore and position the bottom of the seal into the correct groove. Once the bottom of the seal is seated in the groove, release the clamp pressure on the pliers. This will allow the seal to partially snap back to its original shape.
- i. After the pliers are removed, you will notice a slight bump in the seal shape. Before the seal can be properly re-sized, the bump in the seal should be removed as much as possible. This can be done with either the Phillips screw driver or your finger, apply light pressure to the peak of the bump. This pressure will cause the bump to be almost completely eliminated.
- j. Lubricate the edge of the shaft with specified lubricant.
- k. Slowly insert the shaft with rotating motion. This will complete the re-sizing of the seals.
- l. Perform these steps for the remaining seals.

3. Replacement Of Ball Seat & Ball

- a. Follow the step (a) of diaphragm replacement. Replace the ball (12) & seal (13) with new one.
* For ALT, SST series change the valve seal

(13) & O-ring (13A) with new one.

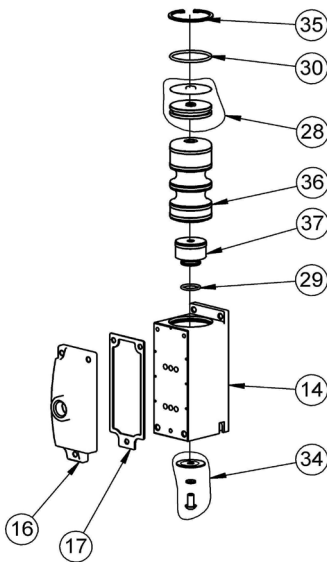
4. Replacement Of Secondary Shaft Assembly



- a. For removing the secondary shaft assembly from center piece assembly, first follow the steps a, b, c, d from the diaphragm replacement and remove the outer chamber (6)
- b. Repeat the same above procedure to remove the other side also.
- c. Remove the O-rings from both sides of secondary shaft assembly (38).
- d. Now if you see there is a center drill mark on one side of the secondary shaft assembly (38). Pull the secondary shaft assembly (38) from that side only.
- e. During assembly make sure to push the secondary shaft assembly (38) from the plain

side only into the sleeve (8).

5. Replacement Of Air Valve and O-Rings Of End Cap



- Remove the circlip (35) with the help of a circlip opener. Remove the end cap metal cover and now use a M6 Bolt to pull the end cap (28) with its O-ring (30) out of the air valve body (14).
(Note - Ensure that the metal cover is always installed with an end cap 28)
- Use the same M6 bolt to pull the air piston assembly (37) with all its seals. This piston assembly (37) needs to be replaced as a single piece.
- In order to remove the end plug assembly (34) with its seals, remove the screw with washers (34) and push it. End plug assembly (34) also needs to be replaced with seals.
- It is recommended to change both the O-rings (30) and (29) during replacing of internal parts.

Re-Assembly

Upon performing applicable maintenance to the air distribution system, the pump can now

be reassembled. Please refer to the dis-assembly instructions for photos and parts placement. To reassemble the pump, follow the dis-assembly instructions in reverse order. The air distribution system needs to be assembled first, then the Diaphragms and finally the wetted path. Please find the applicable torque specifications on this page. The following tips will assist in the assembly process.

- Clean the inside of the center section shaft bore to ensure no damage is done to new seals.
- Stainless bolts should be lubed to reduce the possibility of seizing during tightening.
- Level the water chamber side of the intake/discharge manifold to ensure a proper sealing surface. This is most easily accomplished by placing them on a flat surface prior to tightening their clamp bands to the desired torque (see below for Torque Specifications).
- Be sure to tighten outer pistons simultaneously on PTFE-fitted pumps to ensure proper torque values.
- Ensure proper mating of liquid chambers to manifolds prior to tightening vertical bolts. Overhang should be equal on both sides.
- Apply a small amount of Loctite 242 to the shaft interval threads before the diaphragm assembly.
- Concave side of disc spring in diaphragm assembly faces toward shaft.

MAXIMUM TORQUE SPECIFICATIONS (SDP40)

DESCRIPTION OF PART	TORQUE
Air Valve	5.1 N•m (45 in-lb)
Air Chamber/Center Block	47.5 N•m (35 ft-lb)
Outer Flanges, Rubber & PTFE, Excluding Stainless Steel Inner Pistons	106 N•m (78 ft-lb)
Outer Flanges, Rubber & PTFE, Stainless Steel Inner Pistons	119 N•m (88 ft-lb)
Outer Flanges, Ultra-Flex™	74.6 N•m (55 ft-lb)
Small Clamp Bands	6.6 N•m (58 in-lb)
Large Clamp Bands (Rubber-Fitted)	47.5 N•m (35 ft-lb)
Large Clamp Bands (PTFE-Fitted)	47.5 N•m (35 ft-lb)

Bill of Materials for SDP 40 ALN Pumps

ITEM NO.	PART NUMBER	DESCRIPTION	QTY	ITEM NO.	PART NUMBER	DESCRIPTION	QTY
1	203 10 01	CENTRE PIECE	1	21	160 90 32	ALLEN BOLT	4
1A	207 10 02	AIR DISC	2	22	022 40 21	HEX NUT	4
2	150 40 02	INLET	1	23	150 40 13	BIG CLAMP	4
3	150 40 03	OUTLET	1	24	150 40 28	ALLEN BOLT	8
4	151 10 02	INNER FLANGE	2	25	150 40 25	HEX NUT	8
5	150 40 05	OUTER FLANGE	2	26	150 40 14	SMALL CLAMP	8
5A	150 40 10	STUD FOR SHAFT	2	27	203 90 11S	SQUARE NUT	4
6	150 40 04	LIQUID CHAMBER	2	28	203 08 03	END CAP	1
7	207 21 06	PRIMARY SHAFT	1	29	163 40 01	O' RING	1
8	203 21 03	SLEEVE	1	30	203 40 05	O' RING	1
9	200 40 13	RUBBER RING	2	31	171 27 19S	ALLEN BOLT	3
10	203 40 01	GASKET	2	32	203 90 10S	ALLEN BOLT	4
11	150 40 22	DIAPHRAGM NEOPRENE	2	33	612 90 11S	PLAIN WASHER	7
12	150 40 15	VALVE BALL- NEOPRENE	4	34	203 90 15/A	SCREW WITH WASHER	1
13	150 40 16	VALVE SEAL- NEOPRENE	4	35	203 90 09	INT. CIRCLIP	1
14	203 10 03	AIR VALVE BODY	1	36	203 98 01	SPOOL ASSEMBLY	1
15	203 40 04	GASKET	1	37	203 98 03	END PLUG ASSEMBLY	1
16	203 10 04	AIR VALVE BODY COVER	1	38	207 98 02	SECONDARY SHAFT ASSEMBLY	1
17	203 40 08	GASKET	1	39	200 97 15	SILENCER	1
18	203 40 03	O' RING	4				
19	207 90 01	ALLEN CSK	8				
20	207 90 02	EXT CIRCLIP	2				

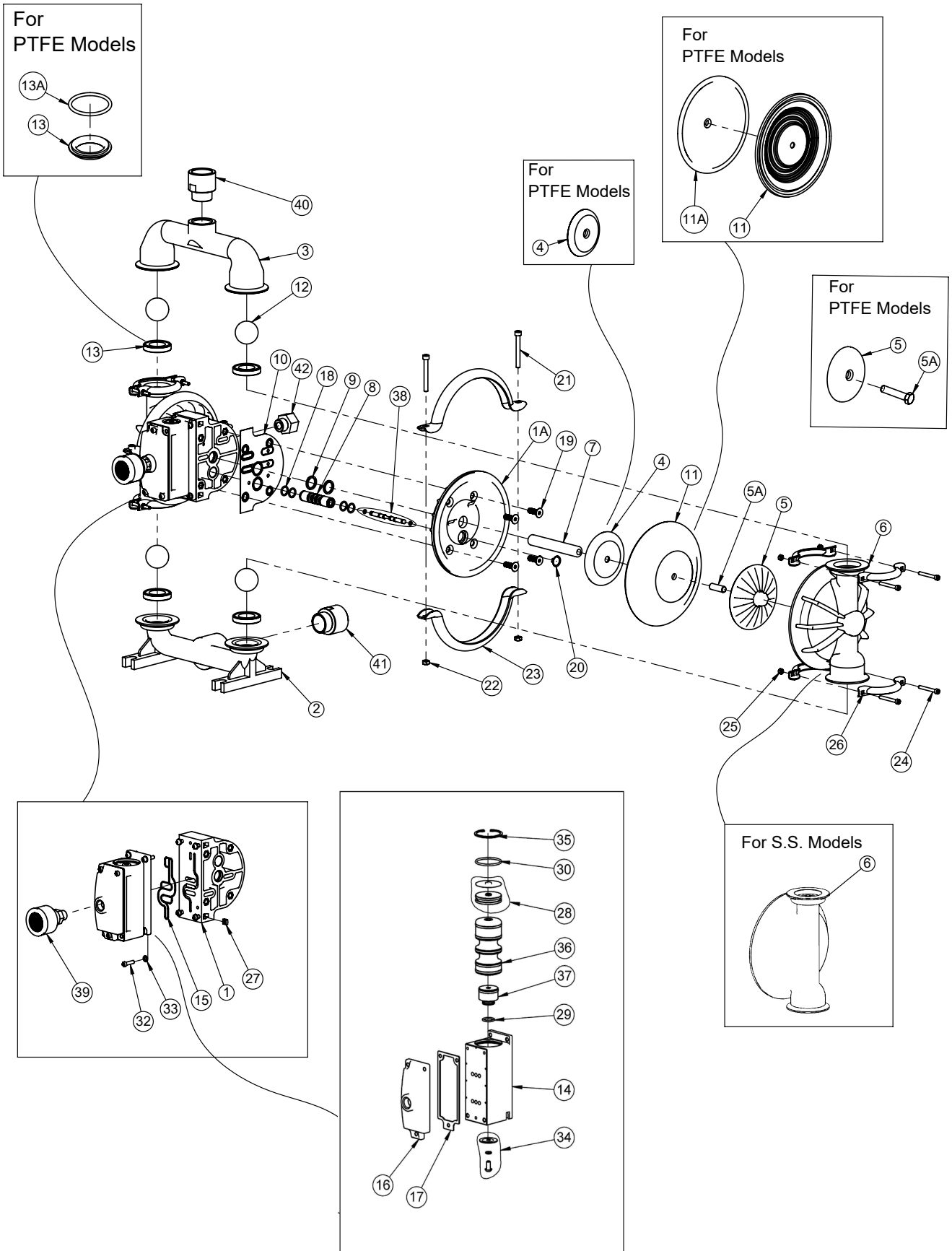
Note.

Above all parts are common for CR (NPT), CG (BSPT) & CP (BSPP) Pumps.
The additional parts for CG (BSPT) & CP (BSPP) pumps model are as follows

ITEM NO	PART NUMBER	DESCRIPTION	CG MODELS	CP MODELS
40	150 10 09	ADAPTER 1-1/4' BSPT(F)	1	
40	171 10 11	ADAPTER 1-1/4' BSPP(F)		1
41	151 10 06	ADAPTER 1-1/2' BSPT(F)	1	
41	151 10 12	ADAPTER 1-1/2' BSPP(F)		1
42	202 04 08	ADAPTOR 3/4" BSPT(F)	1	
42	202 04 05	ADAPTOR 3/4" BSPP(F)		1

Exploded View for SDP 40 Pump

EXP. VIEW FOR SDP40Ex



Bill of Materials for SDP 40 ALB Pumps

ITEM NO.	PART NUMBER	DESCRIPTION	QTY
1	203 10 01	CENTRE PIECE	1
1A	207 10 02	AIR DISC	2
2	150 40 02	INLET	1
3	150 40 03	OUTLET	1
4	151 10 02	INNER FLANGE	2
5	150 40 05	OUTER FLANGE	2
5A	150 40 10	STUD FOR SHAFT	2
6	150 40 04	LIQUID CHAMBER	2
7	207 21 06	PRIMARY SHAFT	1
8	203 21 03	SLEEVE	1
9	200 40 13	RUBBER RING	2
10	203 40 01	GASKET	2
11	150 40 22B	DIAPHRAGM BUNA N	2
12	150 40 15B	VALVE BALL- BUNA N	4
13	150 40 16B	VALVE SEAL- BUNA N	4
14	203 10 03	AIR VALVE BODY	1
15	203 40 04	GASKET	1
16	203 10 04	AIR VALVE BODY COVER	1
17	203 40 08	GASKET	1
18	203 40 03	O' RING	4
19	207 90 01	ALLEN CSK	8
20	207 90 02	EXT CIRCLIP	2

ITEM NO.	PART NUMBER	DESCRIPTION	QTY
21	160 90 32	ALLEN BOLT	4
22	022 40 21	HEX NUT	4
23	150 40 13	BIG CLAMP	4
24	150 40 28	ALLEN BOLT	8
25	150 40 25	HEX NUT	8
26	150 40 14	SMALL CLAMP	8
27	203 90 11S	SQUARE NUT	4
28	203 08 03	END CAP	1
29	163 40 01	O' RING	1
30	203 40 05	O' RING	1
31	171 27 19S	ALLEN BOLT	3
32	203 90 10S	ALLEN BOLT	4
33	612 90 11S	PLAIN WASHER	7
34	203 90 15/A	SCREW WITH WASHER	1
35	203 90 09	INT. CIRCLIP	1
36	203 98 01	SPOOL ASSEMBLY	1
37	203 98 03	END PLUG ASSEMBLY	1
38	207 98 02	SECONDARY SHAFT ASSEMBLY	1
39	200 97 15	SILENCER	1

Note.

Above all parts are common for CR (NPT), CG (BSPT) & CP (BSPP) Pumps.
 The additional parts for CG (BSPT) & CP (BSPP) pumps model are as follows

ITEM NO	PART NUMBER	DESCRIPTION	CG MODELS	CP MODELS
40	150 10 09	ADAPTER 1-1/4' BSPT(F)	1	
40	171 10 11	ADAPTER 1-1/4' BSPP(F)		1
41	151 10 06	ADAPTER 1-1/2' BSPT(F)	1	
41	151 10 12	ADAPTER 1-1/2' BSPP(F)		1
42	202 04 08	ADAPTOR 3/4" BSPT(F)	1	
42	202 04 05	ADAPTOR 3/4" BSPP(F)		1

Bill of Materials for SDP 40 ALS Pumps

ITEM NO.	PART NUMBER	DESCRIPTION	QTY
1	203 10 01	CENTRE PIECE	1
1A	207 10 02	AIR DISC	2
2	150 40 02	INLET	1
3	150 40 03	OUTLET	1
4	151 10 02	INNER FLANGE	2
5	150 40 05	OUTER FLANGE	2
5A	150 40 10	STUD FOR SHAFT	2
6	150 40 04	LIQUID CHAMBER	2
7	207 21 06	PRIMARY SHAFT	1
8	203 21 03	SLEEVE	1
9	200 40 13	RUBBER RING	2
10	203 40 01	GASKET	2
11	151 41 01	DIAPHRAGM SANTOPRENE	2
12	151 41 03	VALVE BALL- SANTOPRENE	4
13	151 41 02	VALVE SEAL- SANTOPRENE	4
14	203 10 03	AIR VALVE BODY	1
15	203 40 04	GASKET	1
16	203 10 04	AIR VALVE BODY COVER	1
17	203 40 08	GASKET	1
18	203 40 03	O' RING	4
19	207 90 01	ALLEN CSK	8
20	207 90 02	EXT CIRCLIP	2

ITEM NO.	PART NUMBER	DESCRIPTION	QTY
21	160 90 32	ALLEN BOLT	4
22	022 40 21	HEX NUT	4
23	150 40 13	BIG CLAMP	4
24	150 40 28	ALLEN BOLT	8
25	150 40 25	HEX NUT	8
26	150 40 14	SMALL CLAMP	8
27	203 90 11S	SQUARE NUT	4
28	203 08 03	END CAP	1
29	163 40 01	O' RING	1
30	203 40 05	O' RING	1
31	171 27 19S	ALLEN BOLT	3
32	203 90 10S	ALLEN BOLT	4
33	612 90 11S	PLAIN WASHER	7
34	203 90 15/A	SCREW WITH WASHER	1
35	203 90 09	INT. CIRCLIP	1
36	203 98 01	SPOOL ASSEMBLY	1
37	203 98 03	END PLUG ASSEMBLY	1
38	207 98 02	SECONDARY SHAFT ASSEMBLY	1
39	200 97 15	SILENCER	1

Note.

Above all parts are common for CR (NPT), CG (BSPT) & CP (BSPP) Pumps.
The additional parts for CG (BSPT) & CP (BSPP) pumps model are as follows

ITEM NO	PART NUMBER	DESCRIPTION	CG MODELS	CP MODELS
40	150 10 09	ADAPTER 1-1/4" BSPT(F)	1	
40	171 10 11	ADAPTER 1-1/4" BSPP(F)		1
41	151 10 06	ADAPTER 1-1/2" BSPT(F)	1	
41	151 10 12	ADAPTER 1-1/2" BSPP(F)		1
42	202 04 08	ADAPTOR 3/4" BSPT(F)	1	
42	202 04 05	ADAPTOR 3/4" BSPP(F)		1

Bill of Materials for SDP 40 ALH Pumps

ITEM NO.	PART NUMBER	DESCRIPTION	QTY
1	203 10 01	CENTRE PIECE	1
1A	207 10 02	AIR DISC	2
2	150 40 02	INLET	1
3	150 40 03	OUTLET	1
4	151 10 02	INNER FLANGE	2
5	150 40 05	OUTER FLANGE	2
5A	150 40 10	STUD FOR SHAFT	2
6	150 40 04	LIQUID CHAMBER	2
7	207 21 06	PRIMARY SHAFT	1
8	203 21 03	SLEEVE	1
9	200 40 13	RUBBER RING	2
10	203 40 01	GASKET	2
11	151 43 01	DIAPHRAGM HYTREL	2
12	151 43 03	VALVE BALL- HYTREL	4
13	151 43 02	VALVE SEAL- HYTREL	4
14	203 10 03	AIR VALVE BODY	1
15	203 40 04	GASKET	1
16	203 10 04	AIR VALVE BODY COVER	1
17	203 40 08	GASKET	1
18	203 40 03	O' RING	4
19	207 90 01	ALLEN CSK	8

ITEM NO.	PART NUMBER	DESCRIPTION	QTY
20	207 90 02	EXT CIRCLIP	2
21	160 90 32	ALLEN BOLT	4
22	022 40 21	HEX NUT	4
23	150 40 13	BIG CLAMP	4
24	150 40 28	ALLEN BOLT	8
25	150 40 25	HEX NUT	8
26	150 40 14	SMALL CLAMP	8
27	203 90 11S	SQUARE NUT	4
28	203 08 03	END CAP	1
29	163 40 01	O' RING	1
30	203 40 05	O' RING	1
31	171 27 19S	ALLEN BOLT	3
32	203 90 10S	ALLEN BOLT	4
33	612 90 11S	PLAIN WASHER	7
34	203 90 15/A	SCREW WITH WASHER	1
35	203 90 09	INT. CIRCLIP	1
36	203 98 01	SPOOL ASSEMBLY	1
37	203 98 03	END PLUG ASSEMBLY	1
38	207 98 02	SECONDARY SHAFT ASSEMBLY	1
39	200 97 15	SILENCER	1

Note.

Above all parts are common for CR (NPT), CG (BSPT) & CP (BSPP) Pumps.
 The additional parts for CG (BSPT) & CP (BSPP) pumps model are as follows

ITEM NO	PART NUMBER	DESCRIPTION	CG MODELS	CP MODELS
40	150 10 09	ADAPTER 1-1/4' BSPT(F)	1	
40	171 10 11	ADAPTER 1-1/4' BSPP(F)		1
41	151 10 06	ADAPTER 1-1/2' BSPT(F)	1	
41	151 10 12	ADAPTER 1-1/2' BSPP(F)		1
42	202 04 08	ADAPTOR 3/4" BSPT(F)	1	
42	202 04 05	ADAPTOR 3/4" BSPP(F)		1

Bill of Materials for SDP 40 ALV Pumps

ITEM NO.	PART NUMBER	DESCRIPTION	QTY
1	203 10 01	CENTRE PIECE	1
1A	207 10 02	AIR DISC	2
2	150 40 02	INLET	1
3	150 40 03	OUTLET	1
4	151 10 02	INNER FLANGE	2
5	150 40 05	OUTER FLANGE	2
5A	150 40 10	STUD FOR SHAFT	2
6	150 40 04	LIQUID CHAMBER	2
7	207 21 06	PRIMARY SHAFT	1
8	203 21 03	SLEEVE	1
9	200 40 13	RUBBER RING	2
10	203 40 01	GASKET	2
11	150 40 22V	DIAPHRAGM VITON	2
12	150 40 15V	VALVE BALL- VITON	4
13	150 40 16V	VALVE SEAL- VITON	4
14	203 10 03	AIR VALVE BODY	1
15	203 40 04	GASKET	1
16	203 10 04	AIR VALVE BODY COVER	1
17	203 40 08	GASKET	1
18	203 40 03	O' RING	4
19	207 90 01	ALLEN CSK	8

ITEM NO.	PART NUMBER	DESCRIPTION	QTY
20	207 90 02	EXT CIRCLIP	2
21	160 90 32	ALLEN BOLT	4
22	022 40 21	HEX NUT	4
23	150 40 13	BIG CLAMP	4
24	150 40 28	ALLEN BOLT	8
25	150 40 25	HEX NUT	8
26	150 40 14	SMALL CLAMP	8
27	203 90 11S	SQUARE NUT	4
28	203 08 03	END CAP	1
29	163 40 01	O' RING	1
30	203 40 05	O' RING	1
31	171 27 19S	ALLEN BOLT	3
32	203 90 10S	ALLEN BOLT	4
33	612 90 11S	PLAIN WASHER	7
34	203 90 15/A	SCREW WITH WASHER	1
35	203 90 09	INT. CIRCLIP	1
36	203 98 01	SPOOL ASSEMBLY	1
37	203 98 03	END PLUG ASSEMBLY	1
38	207 98 02	SECONDARY SHAFT ASSEMBLY	1
39	200 97 15	SILENCER	1

Note.

Above all parts are common for CR (NPT), CG (BSPT) & CP (BSPP) Pumps.
The additional parts for CG (BSPT) & CP (BSPP) pumps model are as follows

ITEM NO	PART NUMBER	DESCRIPTION	CG MODELS	CP MODELS
40	150 10 09	ADAPTER 1-1/4' BSPT(F)	1	
40	171 10 11	ADAPTER 1-1/4' BSPP(F)		1
41	151 10 06	ADAPTER 1-1/2' BSPT(F)	1	
41	151 10 12	ADAPTER 1-1/2' BSPP(F)		1
42	202 04 08	ADAPTOR 3/4" BSPT(F)	1	
42	202 04 05	ADAPTOR 3/4" BSPP(F)		1

Bill of Materials for SDP 40 ALT Pumps

ITEM NO.	PART NUMBER	DESCRIPTION	QTY
1	203 10 01	CENTRE PIECE	1
1A	207 10 02	AIR DISC	2
2	150 40 02	INLET	1
3	150 40 03	OUTLET	1
4	150 10 12	INNER FLANGE	2
5	150 10 05	OUTER FLANGE	2
5A	150 27 36S	HEX BOLT	2
6	151 10 04	LIQUID CHAMBER - ALT	2
7	207 21 01	PRIMARY SHAFT	1
8	203 21 03	SLEEVE	1
9	200 40 13	RUBBER RING	2
10	203 40 01	GASKET	2
11	150 40 30N	BACKUP DIAPHRAGM	2
11A	150 36 22T	DIAPHRAGM -PTFE	2
12	150 36 15T	VALVE BALL	4
13	151 27 01	VALVE SEAT	4
13A	151 36 01T	O RING -PTFE	4
14	203 10 03	AIR VALVE BODY	1
15	203 40 04	GASKET	1
16	203 10 04	AIR VALVE BODY COVER	1
17	203 40 08	GASKET	1
18	203 40 03	O' RING	4
19	207 90 01	ALLEN CSK	8

ITEM NO.	PART NUMBER	DESCRIPTION	QTY
20	207 90 02	EXT CIRCLIP	2
21	160 90 32	ALLEN BOLT	4
22	022 40 21	HEX NUT	4
23	150 40 13	BIG CLAMP	4
24	150 40 28	ALLEN BOLT	8
25	150 40 25	HEX NUT	8
26	150 40 14	SMALL CLAMP	8
27	203 90 11S	SQUARE NUT	4
28	203 08 03	END CAP	1
29	163 40 01	O' RING	1
30	203 40 05	O' RING	1
31	171 27 19S	ALLEN BOLT	3
32	203 90 10S	ALLEN BOLT	4
33	612 90 11S	PLAIN WASHER	7
34	203 90 15/A	SCREW WITH WASHER	1
35	203 90 09	INT. CIRCLIP	1
36	203 98 01	SPOOL ASSEMBLY	1
37	203 98 03	END PLUG ASSEMBLY	1
38	207 98 02	SECONDARY SHAFT ASSEMBLY	1
39	200 97 15	SILENCER	1

Note.

Above all parts are common for CR (NPT), CG (BSPT) & CP (BSPP) Pumps.
 The additional parts for CG (BSPT) & CP (BSPP) pumps model are as follows

ITEM NO	PART NUMBER	DESCRIPTION	CG MODELS	CP MODELS
40	150 10 09	ADAPTER 1-1/4' BSPT(F)	1	
40	171 10 11	ADAPTER 1-1/4' BSPP(F)		1
41	151 10 06	ADAPTER 1-1/2' BSPT(F)	1	
41	151 10 12	ADAPTER 1-1/2' BSPP(F)		1
42	202 04 08	ADAPTOR 3/4" BSPT(F)	1	
42	202 04 05	ADAPTOR 3/4" BSPP(F)		1

Bill of Materials for SDP 40 SSN Pumps

ITEM NO.	PART NUMBER	DESCRIPTION	QTY
1	203 10 01	CENTRE PIECE	1
1A	207 10 02	AIR DISC	2
2	151 07 01	INLET	1
3	151 07 02	OUTLET	1
4	151 10 02	INNER FLANGE	2
5	151 07 04	OUTER FLANGE	2
5A	150 40 10	STUD FOR SHAFT	2
6	151 07 03	LIQUID CHAMBER	2
7	207 21 06	PRIMARY SHAFT	1
8	203 21 03	SLEEVE	1
9	200 40 13	RUBBER RING	2
10	203 40 01	GASKET	2
11	150 40 22	DIAPHRAGM NEOPRENE	2
12	150 40 15	VALVE BALL- NEOPRENE	4
13	150 40 16	VALVE SEAL- NEOPRENE	4
14	203 10 03	AIR VALVE BODY	1
15	203 40 04	GASKET	1
16	203 10 04	AIR VALVE BODY COVER	1
17	203 40 08	GASKET	1
18	203 40 03	O' RING	4
19	207 90 01	ALLEN CSK	8
20	207 90 02	EXT CIRCLIP	2

ITEM NO.	PART NUMBER	DESCRIPTION	QTY
21	160 90 32	ALLEN BOLT	4
22	022 40 21	HEX NUT	4
23	150 40 13	BIG CLAMP	4
24	150 40 28	ALLEN BOLT	8
25	150 40 25	HEX NUT	8
26	150 40 14	SMALL CLAMP	8
27	203 90 11S	SQUARE NUT	4
28	203 08 03	END CAP	1
29	163 40 01	O' RING	1
30	203 40 05	O' RING	1
31	171 27 19S	ALLEN BOLT	3
32	203 90 10S	ALLEN BOLT	4
33	612 90 11S	PLAIN WASHER	7
34	203 90 15/A	SCREW WITH WASHER	1
35	203 90 09	INT. CIRCLIP	1
36	203 98 01	SPOOL ASSEMBLY	1
37	203 98 03	END PLUG ASSEMBLY	1
38	207 98 02	SECONDARY SHAFT ASSEMBLY	1
39	200 97 15	SILENCER	1

Note.

Above all parts are common for CR (NPT), CG (BSPT) & CP (BSPP) Pumps.
The additional parts for CG (BSPT) & CP (BSPP) pumps model are as follows

ITEM NO	PART NUMBER	DESCRIPTION	CG MODELS	CP MODELS
40	151 07 08S	ADAPTER 1-1/4' BSPT(F)	1	
40	151 07 09S	ADAPTER 1-1/4' BSPP(F)		1
41	151 07 05S	ADAPTER 1-1/2' BSPT(F)	1	
41	151 07 10S	ADAPTER 1-1/2' BSPP(F)		1
42	202 04 08	ADAPTOR 3/4" BSPT(F)	1	
42	202 04 05	ADAPTOR 3/4" BSPP(F)		1

Bill of Materials for SDP 40 SSB Pumps

ITEM NO.	PART NUMBER	DESCRIPTION	QTY
1	203 10 01	CENTRE PIECE	1
1A	207 10 02	AIR DISC	2
2	151 07 01	INLET	1
3	151 07 02	OUTLET	1
4	151 10 02	INNER FLANGE	2
5	151 07 04	OUTER FLANGE	2
5A	150 40 10	STUD FOR SHAFT	2
6	151 07 03	LIQUID CHAMBER	2
7	207 21 06	PRIMARY SHAFT	1
8	203 21 03	SLEEVE	1
9	200 40 13	RUBBER RING	2
10	203 40 01	GASKET	2
11	150 40 22B	DIAPHRAGM BUNA N	2
12	150 40 15B	VALVE BALL- BUNA N	4
13	150 40 16B	VALVE SEAL- BUNA N	4
14	203 10 03	AIR VALVE BODY	1
15	203 40 04	GASKET	1
16	203 10 04	AIR VALVE BODY COVER	1
17	203 40 08	GASKET	1
18	203 40 03	O' RING	4
19	207 90 01	ALLEN CSK	8

ITEM NO.	PART NUMBER	DESCRIPTION	QTY
20	207 90 02	EXT CIRCLIP	2
21	160 90 32	ALLEN BOLT	4
22	022 40 21	HEX NUT	4
23	150 40 13	BIG CLAMP	4
24	150 40 28	ALLEN BOLT	8
25	150 40 25	HEX NUT	8
26	150 40 14	SMALL CLAMP	8
27	203 90 11S	SQUARE NUT	4
28	203 08 03	END CAP	1
29	163 40 01	O' RING	1
30	203 40 05	O' RING	1
31	171 27 19S	ALLEN BOLT	3
32	203 90 10S	ALLEN BOLT	4
33	612 90 11S	PLAIN WASHER	7
34	203 90 15/A	SCREW WITH WASHER	1
35	203 90 09	INT. CIRCLIP	1
36	203 98 01	SPOOL ASSEMBLY	1
37	203 98 03	END PLUG ASSEMBLY	1
38	207 98 02	SECONDARY SHAFT ASSEMBLY	1
39	200 97 15	SILENCER	1

Note.

Above all parts are common for CR (NPT), CG (BSPT) & CP (BSPP) Pumps.
 The additional parts for CG (BSPT) & CP (BSPP) pumps model are as follows

ITEM NO	PART NUMBER	DESCRIPTION	CG MODELS	CP MODELS
40	151 07 08S	ADAPTER 1-1/4' BSPT(F)	1	
40	151 07 09S	ADAPTER 1-1/4' BSPP(F)		1
41	151 07 05S	ADAPTER 1-1/2' BSPT(F)	1	
41	151 07 10S	ADAPTER 1-1/2' BSPP(F)		1
42	202 04 08	ADAPTOR 3/4" BSPT(F)	1	
42	202 04 05	ADAPTOR 3/4" BSPP(F)		1

Bill of Materials for SDP 40 SSS Pumps

ITEM NO.	PART NUMBER	DESCRIPTION	QTY
1	203 10 01	CENTRE PIECE	1
1A	207 10 02	AIR DISC	2
2	151 07 01	INLET	1
3	151 07 02	OUTLET	1
4	151 10 02	INNER FLANGE	2
5	151 07 04	OUTER FLANGE	2
5A	150 40 10	STUD FOR SHAFT	2
6	151 07 03	LIQUID CHAMBER	2
7	207 21 06	PRIMARY SHAFT	1
8	203 21 03	SLEEVE	1
9	200 40 13	RUBBER RING	2
10	203 40 01	GASKET	2
11	151 41 01	DIAPHRAGM SANTOPRENE	2
12	151 41 03	VALVE BALL- SANTOPRENE	4
13	151 41 02	VALVE SEAL- SANTOPRENE	4
14	203 10 03	AIR VALVE BODY	1
15	203 40 04	GASKET FOR AIR VALVE BODY	1
16	203 10 04	AIR VALVE BODY COVER	1
17	203 40 08	GASKET	1
18	203 40 03	O' RING	4
19	207 90 01	ALLEN CSK	8

ITEM NO.	PART NUMBER	DESCRIPTION	QTY
20	207 90 02	EXT CIRCLIP	2
21	160 90 32	ALLEN BOLT	4
22	022 40 21	HEX NUT	4
23	150 40 13	BIG CLAMP	4
24	150 40 28	ALLEN BOLT	8
25	150 40 25	HEX NUT	8
26	150 40 14	SMALL CLAMP	8
27	203 90 11S	SQUARE NUT	4
28	203 08 03	END CAP	1
29	163 40 01	O' RING	1
30	203 40 05	O' RING	1
31	171 27 19S	ALLEN BOLT	3
32	203 90 10S	ALLEN BOLT	4
33	612 90 11S	PLAIN WASHER	7
34	203 90 15/A	SCREW WITH WASHER	1
35	203 90 09	INT. CIRCLIP	1
36	203 98 01	SPOOL ASSEMBLY	1
37	203 98 03	END PLUG ASSEMBLY	1
38	207 98 02	SECONDARY SHAFT ASSEMBLY	1
39	200 97 15	SILENCER	1

Note.

Above all parts are common for CR (NPT), CG (BSPT) & CP (BSPP) Pumps.

The additional parts for CG (BSPT) & CP (BSPP) pumps model are as follows

ITEM NO	PART NUMBER	DESCRIPTION	CG MODELS	CP MODELS
40	151 07 08S	ADAPTER 1-1/4' BSPT(F)	1	
40	151 07 09S	ADAPTER 1-1/4' BSPP(F)		1
41	151 07 05S	ADAPTER 1-1/2' BSPT(F)	1	
41	151 07 10S	ADAPTER 1-1/2' BSPP(F)		1
42	202 04 08	ADAPTOR 3/4" BSPT(F)	1	
42	202 04 05	ADAPTOR 3/4" BSPP(F)		1

Bill of Materials for SDP 40 SSH Pumps

ITEM NO.	PART NUMBER	DESCRIPTION	QTY	ITEM NO.	PART NUMBER	DESCRIPTION	QTY
1	203 10 01	CENTRE PIECE	1	20	207 90 02	EXT CIRCLIP	2
1A	207 10 02	AIR DISC	2	21	160 90 32	ALLEN BOLT	4
2	151 07 01	INLET	1	22	022 40 21	HEX NUT	4
3	151 07 02	OUTLET	1	23	150 40 13	BIG CLAMP	4
4	151 10 02	INNER FLANGE	2	24	150 40 28	ALLEN BOLT	8
5	151 07 04	OUTER FLANGE	2	25	150 40 25	HEX NUT	8
5A	150 40 10	STUD FOR SHAFT	2	26	150 40 14	SMALL CLAMP	8
6	151 07 03	LIQUID CHAMBER	2	27	203 90 11S	SQUARE NUT	4
7	207 21 06	PRIMARY SHAFT	1	28	203 08 03	END CAP	1
8	203 21 03	SLEEVE	1	29	163 40 01	O' RING	1
9	200 40 13	RUBBER RING FOR BUSH	2	30	203 40 05	O' RING	1
10	203 40 01	GASKET	2	31	171 27 19S	ALLEN BOLT	3
11	151 43 01	DIAPHRAGM HYTREL	2	32	203 90 10S	ALLEN BOLT	4
12	151 43 03	VALVE BALL- HYTREL	4	33	612 90 11S	PLAIN WASHER	7
13	151 43 02	VALVE SEAL- HYTREL	4	34	203 90 15/A	SCREW WITH WASHER	1
14	203 10 03	AIR VALVE BODY	1	35	203 90 09	INT. CIRCLIP	1
15	203 40 04	GASKET FOR AIR VALVE BODY	1	36	203 98 01	SPOOL ASSEMBLY	1
16	203 10 04	AIR VALVE BODY COVER	1	37	203 98 03	END PLUG ASSEMBLY	1
17	203 40 08	GASKET	1	38	207 98 02	SECONDARY SHAFT ASSEMBLY	1
18	203 40 03	O' RING	4	39	200 97 15	SILENCER	1
19	207 90 01	ALLEN CSK	8				

Note.

Above all parts are common for CR (NPT), CG (BSPT) & CP (BSPP) Pumps.

The additional parts for CG (BSPT) & CP (BSPP) pumps model are as follows

ITEM NO	PART NUMBER	DESCRIPTION	CG MODELS	CP MODELS
40	151 07 08S	ADAPTER 1-1/4' BSPT(F)	1	
40	151 07 09S	ADAPTER 1-1/4' BSPP(F)		1
41	151 07 05S	ADAPTER 1-1/2' BSPT(F)	1	
41	151 07 10S	ADAPTER 1-1/2' BSPP(F)		1
42	202 04 08	ADAPTOR 3/4" BSPT(F)	1	
42	202 04 05	ADAPTOR 3/4" BSPP(F)		1

Bill of Materials for SDP 40 SSV Pumps

ITEM NO.	PART NUMBER	DESCRIPTION	QTY
1	203 10 01	CENTRE PIECE	1
1A	207 10 02	AIR DISC	2
2	151 07 01	INLET	1
3	151 07 02	OUTLET	1
4	151 10 02	INNER FLANGE	2
5	151 07 04	OUTER FLANGE	2
5A	150 40 10	STUD FOR SHAFT	2
6	151 07 03	LIQUID CHAMBER	2
7	207 21 06	PRIMARY SHAFT	1
8	203 21 03	SLEEVE	1
9	200 40 13	RUBBER	2
10	203 40 01	GASKET	2
11	150 40 22V	DIAPHRAGM VITON	2
12	150 40 15V	VALVE BALL- VITON	4
13	150 40 16V	VALVE SEAL- VITON	4
14	203 10 03	AIR VALVE BODY	1
15	203 40 04	GASKET	1
16	203 10 04	AIR VALVE BODY COVER	1
17	203 40 08	GASKET	1
18	203 40 03	O' RING	4
19	207 90 01	ALLEN CSK	8

ITEM NO.	PART NUMBER	DESCRIPTION	QTY
20	207 90 02	EXT CIRCLIP	2
21	160 90 32	ALLEN BOLT	4
22	022 40 21	HEX NUT	4
23	150 40 13	BIG CLAMP	4
24	150 40 28	ALLEN BOLT	8
25	150 40 25	HEX NUT	8
26	150 40 14	SMALL CLAMP	8
27	203 90 11S	SQUARE NUT	4
28	203 08 03	END CAP	1
29	163 40 01	O' RING	1
30	203 40 05	O' RING	1
31	171 27 19S	ALLEN BOLT	3
32	203 90 10S	ALLEN BOLT	4
33	612 90 11S	PLAIN WASHER	7
34	203 90 15/A	SCREW WITH WASHER	1
35	203 90 09	INT. CIRCLIP	1
36	203 98 01	SPOOL ASSEMBLY	1
37	203 98 03	END PLUG ASSEMBLY	1
38	207 98 02	SECONDARY SHAFT ASSEMBLY	1
39	200 97 15	SILENCER	1

Note.

Above all parts are common for CR (NPT), CG (BSPT) & CP (BSPP) Pumps.
The additional parts for CG (BSPT) & CP (BSPP) pumps model are as follows

ITEM NO	PART NUMBER	DESCRIPTION	CG MODELS	CP MODELS
40	151 07 08S	ADAPTER 1-1/4' BSPT(F)	1	
40	151 07 09S	ADAPTER 1-1/4' BSPP(F)		1
41	151 07 05S	ADAPTER 1-1/2' BSPT(F)	1	
41	151 07 10S	ADAPTER 1-1/2' BSPP(F)		1
42	202 04 08	ADAPTOR 3/4" BSPT(F)	1	
42	202 04 05	ADAPTOR 3/4" BSPP(F)		1

Bill of Materials for SDP 40 SST Pumps

ITEM NO.	PART NUMBER	DESCRIPTION	QTY
1	203 10 01	CENTRE PIECE	1
1A	207 10 02	AIR DISC	2
2	151 07 01	INLET	1
3	151 07 02	OUTLET	1
4	150 10 12	INNER FLANGE	2
5	150 27 05S	OUTER FLANGE	2
5A	150 27 36S	HEX BOLT	2
6	151 07 03	LIQUID CHAMBER	2
7	207 21 01	PRIMARY SHAFT	1
8	203 21 03	SLEEVE	1
9	200 40 13	RUBBER RING	2
10	203 40 01	GASKET	2
11	150 40 30N	BACKUP DIAPHRAGM	2
11A	150 36 22T	DIAPHRAGM -PTFE	2
12	150 36 15T	VALVE BALL	4
13	151 27 01	VALVE SEAT	4
13A	151 36 01T	O RING -PTFE	4
14	203 10 03	AIR VALVE BODY	1
15	203 40 04	GASKET	1
16	203 10 04	AIR VALVE BODY COVER	1
17	203 40 08	GASKET	1
18	203 40 03	O' RING	4
19	207 90 01	ALLEN CSK	8

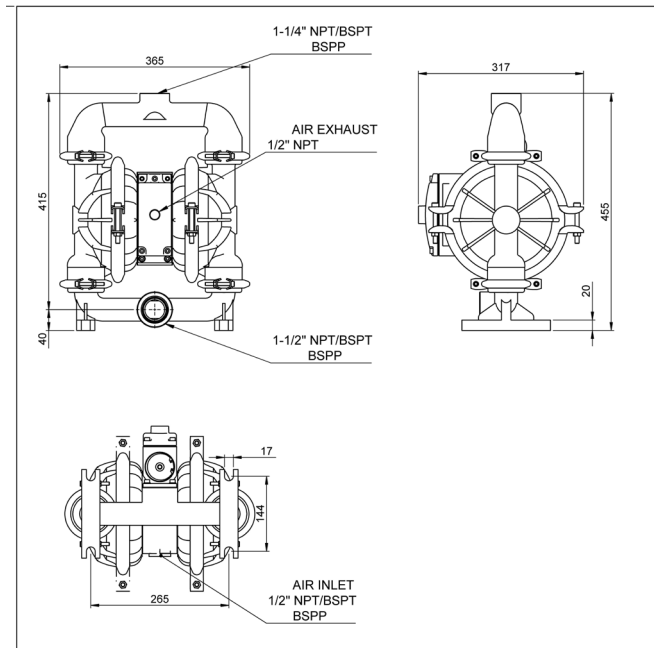
ITEM NO.	PART NUMBER	DESCRIPTION	QTY
20	207 90 02	EXT CIRCLIP	2
21	160 90 32	ALLEN BOLT	4
22	022 40 21	HEX NUT	4
23	150 40 13	BIG CLAMP	4
24	150 40 28	ALLEN BOLT	8
25	150 40 25	HEX NUT	8
26	150 40 14	SMALL CLAMP	8
27	203 90 11S	SQUARE NUT	4
28	203 08 03	END CAP	1
29	163 40 01	O' RING	1
30	203 40 05	O' RING	1
31	171 27 19S	ALLEN BOLT	3
32	203 90 10S	ALLEN BOLT	4
33	612 90 11S	PLAIN WASHER	7
34	203 90 15/A	SCREW WITH WASHER	1
35	203 90 09	INT. CIRCLIP	1
36	203 98 01	SPOOL ASSEMBLY	1
37	203 98 03	END PLUG ASSEMBLY	1
38	207 98 02	SECONDARY SHAFT ASSEMBLY	1
39	200 97 15	SILENCER	1

Note.

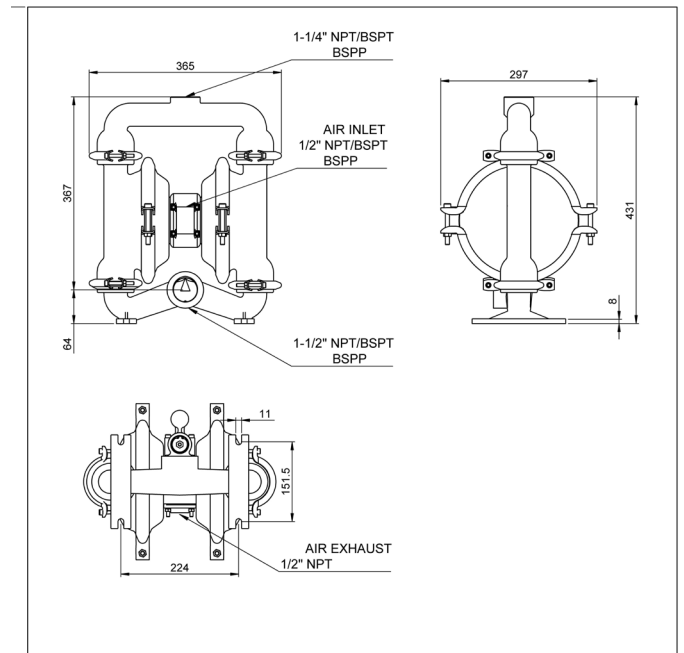
Above all parts are common for CR (NPT), CG (BSPT) & CP (BSPP) Pumps.
 The additional parts for CG (BSPT) & CP (BSPP) pumps model are as follows

ITEM NO	PART NUMBER	DESCRIPTION	CG MODELS	CP MODELS
40	151 07 08S	ADAPTER 1-1/4' BSPT(F)	1	
40	151 07 09S	ADAPTER 1-1/4' BSPP(F)		1
41	151 07 05S	ADAPTER 1-1/2' BSPT(F)	1	
41	151 07 10S	ADAPTER 1-1/2' BSPP(F)		1
42	202 04 08	ADAPTOR 3/4" BSPT(F)	1	
42	202 04 05	ADAPTOR 3/4" BSPP(F)		1

Dimensional Data



SDP 40 AL/N/B/S/H/V/T



SDP 40 SS/N/B/S/H/V/T

Repair Kits for SDP 40 ALX /SSX Pumps

Repair Kits consist of everything you need to quickly restore the pump. Repair Kits contain one set of Diaphragms, one set of balls, one set of seats or seats+Orings, secondary shaft complete with seals, air valve spool complete with fitted seals, all gaskets, end caps with fitted rings and other wear parts needed to rebuild the pump. Repair kits are threading independant.

Repair KIT Ordering No	Suitable for
207 97 02N	SDP 40 ALN / SSN
207 97 02B	SDP 40 ALB / SSB
207 97 02S	SDP 40 ALS / SSS
207 97 02H	SDP 40 ALH / SSH
207 97 02V	SDP 40 ALV / SSV
207 97 02T	SDP 40 ALT / SST

Air Valve Replacement Kits for SDP 40 ALX/SSX Pumps

Air Valve Replacement Kit consists of a complete operational air valve assembly complete. Consisting of Air Valve Body, End Plates, Spool and all seals, o rings and gaskets.

Replacement KIT Ordering No	Suitable for
203 97 01	NPT Fitted ALX or SSX Pumps With Any Diaphragm Variant BSPT Fitted ALX or SSX Pumps With Any Diaphragm Variant BSPP Fitted ALX or SSX Pumps With Any Diaphragm Variant

Repair and Replacement Kits

ITEM NO.	PART NUMBER	DESCRIPTION	AL / SS Pumps	ALX / SSX Pumps					
			203 97 01 Replacement Kit	Repair Kit 2079702B	Repair Kit 2079702N	Repair Kit 2079702V	Repair Kit 2079702S	Repair Kit 2079702H	Repair Kit 2079702T
9	200 40 13	RUBBER RING		2	2	2	2	2	2
10	203 40 01	GASKET		2	2	2	2	2	2
11	150 40 22B	DIAPHRAGM- BUNA N		2					
11	150 40 22	DIAPHRAGM- NEOPRENE			2				
11	150 40 22V	DIAPHRAGM- VITON				2			
11	151 41 01	DIAPHRAGM- SANTOPRENE					2		
11	151 43 01	DIAPHRAGM- HYTREL						2	
11	150 40 30N	BACKUP DIAPHRAGM							2
11A	150 36 22T	DIAPHRAGM -PTFE							2
12	150 40 15B	VALVE BALL- BUNA N		4					
12	150 40 15	VALVE BALL- NEOPRENE			4				
12	150 40 15V	VALVE BALL- VITON				4			
12	151 41 03	VALVE BALL- SANTOPRENE					4		
12	151 43 03	VALVE BALL- HYTREL						4	
12	150 36 15T	VALVE BALL-PTFE							4
13	150 40 16B	VALVE SEAL- BUNA N		4					
13	150 40 16	VALVE SEAL- NEOPRENE			4				
13	150 40 16V	VALVE SEAL- VITON				4			
13	151 41 02	VALVE SEAL- SANTOPRENE					4		
13	151 43 02	VALVE SEAL- HYTREL						4	
13	151 27 01	VALVE SEAT							4
13A	151 36 01T	O RING -PTFE							4
14	203 10 03	AIR VALVE BODY	1						
15	203 40 04	GASKET	1	1	1	1	1	1	1
16	203 10 04	AIR VALVE BODY COVER	1						
17	203 40 08	GASKET	1	1	1	1	1	1	1
18	203 40 03	O' RING		4	4	4	4	4	4
20	207 90 02	EXT CIRCLIP		2	2	2	2	2	2
27	203 90 11S	SQUARE NUT	4						
28	203 08 03	END CAP	1	1	1	1	1	1	1
29	163 40 01	O' RING	1	1	1	1	1	1	1
30	203 40 05	O' RING	1	1	1	1	1	1	1
31	171 27 19S	ALLEN BOLT	3						
32	203 90 10S	ALLEN BOLT	4						
33	612 90 11S	PLAIN WASHER	7						
34	203 90 15/A	SCREW WITH WASHER	1	1	1	1	1	1	1
35	203 90 09	INT. CIRCLIP	1	1	1	1	1	1	1
36	203 98 01	SPOOL ASSEMBLY	1	1	1	1	1	1	1
37	203 98 03	END PLUG ASSEMBLY	1	1	1	1	1	1	1
38	207 98 02	SECONDARY SHAFT ASSEMBLY		1	1	1	1	1	1
39	200 97 15	SILENCER		1	1	1	1	1	1

EU DECLARATION OF CONFORMITY

Object of declaration

PRODUCT : AIR OPERATED DOUBLE DIAPHRAGM PUMP

MODEL : SDP40 Series

MANUFACTURER'S NAME : TERYAIR EQUIPMENT PVT. LTD.

ADDRESS : SITE - 1 : BUILDING A - 1/2, 102 TO 105 & BUILDING C 12 & 13,
TIRUPATI UDYOG NAGAR, SATIVALI ROAD, VASAI (E),
PALGHAR: 401208.
SITE - 2: AUGUSTINE - II, COLACO INDUSTRIAL COMPLEX,
GALA NO - 101 TO 107, SATIVALI ROAD, VILLAGE WALIV,
VASAI (E), PALGHAR: 401208

To provide presumption of conformity in order to directive 2014/34/EU; the following harmonized standards and/or other normative documents as referenced within the following official journals are applied:

APPLICABLE DIRECTIVE: ATEX DIRECTIVE (2014/34/EU)

APPLICABLE STANDARDS:

EN ISO 80079-36: 2016 : Explosive atmospheres —Part 36: Non-electrical equipment for explosive atmospheres —Basic method and requirements.

EN ISO 80079-37:2016 : Explosive atmospheres —Part 37: Non-electrical equipment for explosive atmospheres —Non- electrical type of protection constructional safety 'c', control of ignition sources 'b', liquid immersion 'k'.

Notified body to whom Technical file has logged with: - Technicka Inspekcia (Ref: 1354).

DECLARATION: - TERYAIR EQUIPMENT PVT. LTD., declare that under our sole responsibility for the supply of the product defined above, the said product complies with all the applicable Directives, Regulations and all essential Health and Safety requirements applying to it.

I, the undersigned, hereby declare that the product specified above conforms to the above standard(s).



ATEX MARKING APPLIED : Please Refer ATEX Rating for Teryair Aodd Models Table

Signed for and on behalf of

TERYAIR EQUIPMENT PVT. LTD.

Place of Issue : Vasai

Date :

SUMMARY FOR THE ATEX RATING FOR TERYAIR AODD MODELS

Pump Size	Series	Wetted Materials	Center Section	Diphragm Materials	ATEX Rating
06 (1/4")	SDP	Aluminium	Aluminium	Neoprene	II 2 GD Ex h IIC T6 Gb Ex h IIIC T85°C Db (IP65)
				Buna-N	
				Viton-FKM	II 2 GD Ex h IIC T3 Gb Ex h IIIC T200°C Db (IP65)
				Sentoprene	II 2 GD Ex h IIC T5 Gb Ex h IIIC T100°C Db (IP65)
				Hytrel	
				PTFE	
		Stainless Steel	Stainless Steel	Neoprene	II 2 GD Ex h IIC T6 Gb Ex h IIIC T85°C Db I M2 Ex h I Mb (IP65)
				Buna-N	
				Viton-FKM	II 2 GD Ex h IIC T3 Gb Ex h IIIC T200°C Db (IP65) I M2 Ex h I Mb (IP65)
				Sentoprene	II 2 GD Ex h IIC T5 Gb Ex h IIIC T100°C Db (IP65) I M2 Ex h I Mb (IP65)
				Hytrel	
				PTFE	
12 (1/2")	DP/SDP	Aluminium	Aluminium	Neoprene	II 2 GD Ex h IIC T6 Gb Ex h IIIC T85°C Db (IP65)
				Buna-N	
				Viton-FKM	II 2 GD Ex h IIC T3 Gb Ex h IIIC T200°C Db (IP65)
				Sentoprene	II 2 GD Ex h IIC T5 Gb Ex h IIIC T100°C Db (IP65)
				Hytrel	
				PTFE	
	SDP	Stainless Steel	Stainless Steel	Neoprene	II 2 GD Ex h IIC T6 Gb Ex h IIIC T85°C Db I M2 Ex h I Mb (IP65)
				Buna-N	
				Viton-FKM	II 2 GD Ex h IIC T3 Gb Ex h IIIC T200°C Db (IP65) I M2 Ex h I Mb (IP65)
				Sentoprene	II 2 GD Ex h IIC T5 Gb Ex h IIIC T100°C Db (IP65) I M2 Ex h I Mb (IP65)
				Hytrel	
				PTFE	
25 (1")	DP / SDP	Aluminium / Stainless Steel	Aluminium	Neoprene	II 2 GD Ex h IIC T6 Gb Ex h IIIC T85°C Db (IP65)
				Buna-N	
				Viton-FKM	II 2 GD Ex h IIC T3 Gb Ex h IIIC T200°C Db (IP65)
				Sentoprene	II 2 GD Ex h IIC T5 Gb Ex h IIIC T100°C Db (IP65)
				Hytrel	
				PTFE	

SUMMARY FOR THE ATEX RATING FOR TERYAIR AODD MODELS

Pump Size	Series	Wetted Materials	Center Section	Diphargm Materials	ATEX Rating
40 (1-1/2")	DP / SDP	Aluminium / Stain- less Steel	Aluminium	Neoprene	II 2 GD Ex h IIC T6 Gb Ex h IIIC T85°C Db (IP65)
				Buna-N	
				Viton-FKM	II 2 GD Ex h IIC T3 Gb Ex h IIIC T200°C Db (IP65)
				Sentoprene	II 2 GD Ex h IIC T5 Gb Ex h IIIC T100°C Db (IP65)
				Hytrel	
				PTFE	
50 (2")	DP / SDP	Aluminium / Stain- less Steel	Aluminium	Neoprene	II 2 GD Ex h IIC T6 Gb Ex h IIIC T85°C Db (IP65)
				Buna-N	
				Viton-FKM	II 2 GD Ex h IIC T3 Gb Ex h IIIC T200°C Db (IP65)
				Sentoprene	II 2 GD Ex h IIC T5 Gb Ex h IIIC T100°C Db (IP65)
				Hytrel	
				PTFE	
	SDP	Cast Iron	Cast Iron	Neoprene	II 2 GD Ex h IIC T6 Gb Ex h IIIC T85°C Db I M2 Ex h I Mb (IP65)
				Buna-N	
				Viton-FKM	"II 2 GD Ex h IIC T3 Gb Ex h IIIC T200°C Db (IP65) I M2 Ex h I Mb (IP65)"
				Sentoprene	II 2 GD Ex h IIC T5 Gb Ex h IIIC T100°C Db (IP65) I M2 Ex h I Mb (IP65)
				Hytrel	
				PTFE	
75 (3")	DP / SDP	Aluminium	Aluminium	Neoprene	II 2 GD Ex h IIC T6 Gb Ex h IIIC T85°C Db (IP65)
				Buna-N	
				Viton-FKM	II 2 GD Ex h IIC T3 Gb Ex h IIIC T200°C Db (IP65)
				Sentoprene	II 2 GD Ex h IIC T5 Gb Ex h IIIC T100°C Db (IP65)
				Hytrel	
				PTFE	
	SDP	Cast Iron	Cast Iron	Neoprene	II 2 GD Ex h IIC T6 Gb Ex h IIIC T85°C Db I M2 Ex h I Mb (IP65)
				Buna-N	
				Viton-FKM	II 2 GD Ex h IIC T3 Gb Ex h IIIC T200°C Db (IP65) I M2 Ex h I Mb (IP65)
				Sentoprene	II 2 GD Ex h IIC T5 Gb Ex h IIIC T100°C Db (IP65) I M2 Ex h I Mb (IP65)
				Hytrel	
				PTFE	



Warranty Certificate

Every product manufactured by Teryair
is built to meet the highest standards of quality.

Teryair warrants that the Products, accessories and parts manufactured or supplied by the company be free from defects in material and workmanship for a period of six months from date of Teryair authorized dealer invoice to customer, or one year from date of Teryair invoice to dealer, whichever is earlier. Failure due to normal wear, misapplication, or abuse is, of course, excluded from this warranty.

Since the use of Teryair products and parts is beyond our control, Teryair cannot guarantee the suitability of any product or part for a particular application and Teryair shall not be liable for any consequential damage or expense arising from the use or misuse of its products on any application. Teryair does not warranty bought out products or components such as electric motors and hardware but will assist in directing warranty queries to the dealer/manufacturer responsible. Teryair responsibility is limited solely to replacement or repair of defective Teryair products or components.

Dealer/End User shall have no right or remedy and Teryair shall have no liability or obligation under the warranty, if: (i) a Product is altered, changed, modified or tampered with in any way; (ii) a Product is damaged after deposit with the transporter for shipment; (iii) a Product is not properly preserved, packaged, stored, processed or handled after receipt; (iv) a Product is not used and maintained in accordance with Teryair's recommended operating and maintenance manuals, instructions and procedures, if any; (v) a Product is not properly incorporated or installed in, or not properly combined with, an Other Product; (vi) the issue with a Product is directly or indirectly attributable to, or directly or indirectly results from or arises out of, a failure, substandard performance or other issue with another product, material, component or part not supplied by Teryair; (vii) the issue with a Product is directly or indirectly attributable to, or directly or indirectly results from or arises out of, compliance with any design, specification or other specific requirement of Dealer/End User; (viii) a Product is used in a manner, with a substance or for a purpose other than the normal manner, substance and purpose for which it is intended or is otherwise subjected to abnormal use or service; (ix) a Product is subjected to a power surge, brown out or other similar occurrence; (x) the issue with a Product is directly or indirectly attributable to, or directly or indirectly results from or arises out of, normal wear and tear of such Product (including, without limitation, things such as worn seals, diaphragms, balls, O rings, gaskets, chisels, cutters, hoses and other such wearing components; (xi) the issue with a Product is directly or indirectly.

Model Number : SDP40 Series
Serial Numberbar :
Dated :

Ajay Bhagat, Q.A. Manager
(Company Seal)