

## **TVM AIR MOTOR**

MAX POWER

**0.35kW, 0.45HP**

SPEED

**1000-7000rpm**

WEIGHT

**0.9Kgs, 2 lbs**



## **AIR MOTOR**

*Teryair air motors are versatile workhorses that can be used in a diverse range of applications. In many applications the inherent features of air motors make them more suitable over electric or hydraulic options.*

*They run cool, can be stalled, can handle variable loads and all Teryair motors are Ex Certified explosion proof and are instantly reversible.*

*You can use them for mixing, lifting and pulling applications in explosive zones.*

*Speed and torque can be variable by simple modulation of input air pressure and air volume.*

*Compact size compared to electrical motors*



### **Explosion Proof**

All Teryair air motors are ATEX approved and safe for use in explosive atmospheres

Ex Codes

Ex IIGD Ex IIC T6 Gb

Ex IIGD Ex h IIIC T85degC Db



### **Approvals and Certifications**

All Teryair air motors are CE marked and manufactured under an ISO 9001:2015 Quality system - SGS.



### **Added Features**

Cool Running

Variable Speeds

Load to Stall

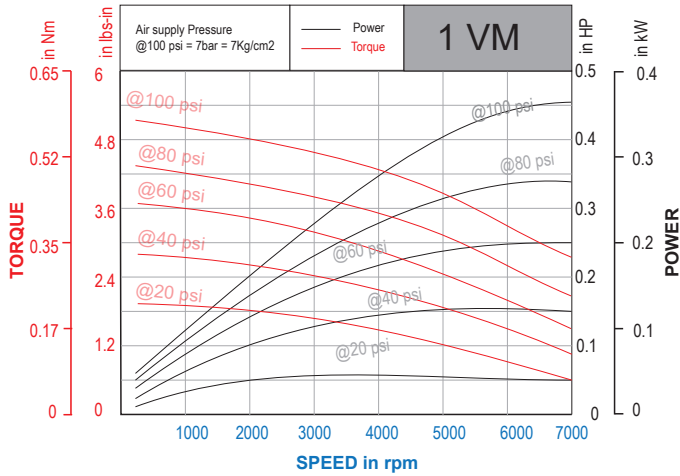
Instantly Reversible

available as Lube free

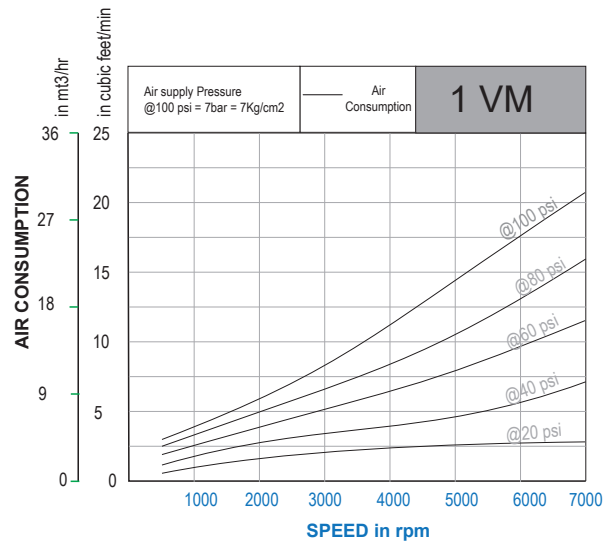
available with SS construction

available with SS + Lube Free

## Power and Torque Graphs 1VM



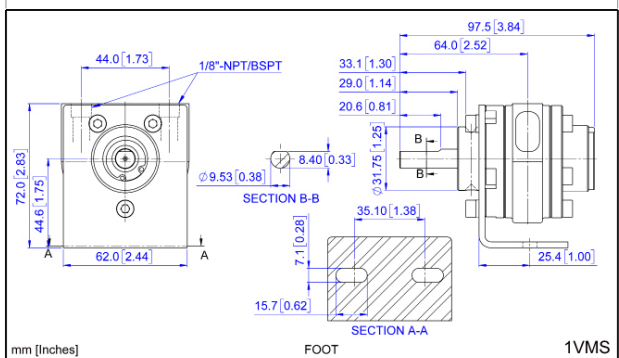
## Air Consumption Graph 1VM



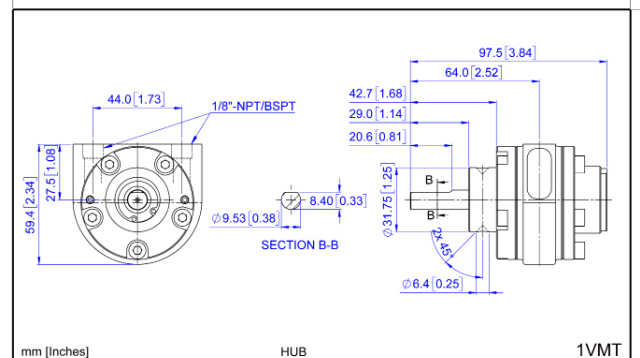
## Technical Data 1 VM

Power	upto 0.35kW (0.45HP)
Torque	upto 0.55 Nm (5 lbs-in)
Air Consumption	0 to 30m3/hr (0 to 22 cfm)
Motor Weight	0.9kgs (2lbs)
Operating Pressure	1.4 to 7kg/cm2 (20 to 100PSI)
Max Allowable speed	7000 rpm (ATEX limit)*
REPAIR KIT for 1VM	Kit No 8119701 (Common for all variants, includes Blades, Bearings, Shims, Ejection rings, Oil Seals and O rings)

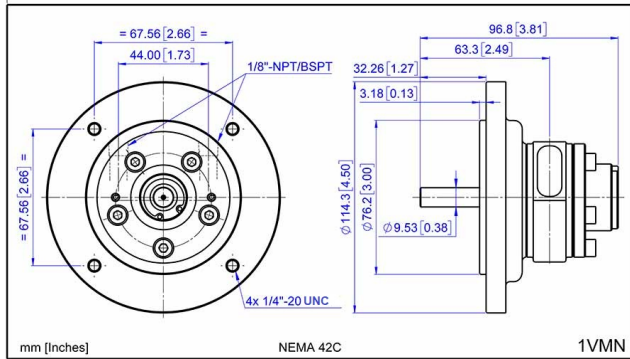
## Foot Mounting 1VM



## Hub Mounting 1VM



## NEMA Flange Mounting TVM



## TVM Air Motor rear view



## Air Motor Nomenclature

X	XX	X	X	X	X
Size	Motor Type	Mounting	Lubricated or Lube-Free	Material of Construction	Threading on Inlet and Outlet
1		L - Face Type			
2	VM - Vane Type	S- Foot Type	A- Lubricated	L - SG Iron	R- NPT
4	PM - Piston Type	T - Hub			G - BSPT
6	VG - Vane Geared	D - IEC Flange Type	O - Lube Free	S - SS	
8	PG - Piston Geared	N - NEMA Flange Type			
16					

For example, 1VMTALR is a size 1, Vane type, Hub Mounted, Lubricated, SG Iron MOC with NPT threading

## About Lube Free Variants

All Teryair air motors can be ordered as Lube Free. Lube free motors have a special hard, friction free and corrosion resistant coating. These motors have to be run about 15% slower than a normal motor. These motors can operate without any lubricant and therefore do not release any oily mist in the exhaust. Apart from the overall saving, this makes them very suitable to use in super clean environments.

## About Stainless Steel Variants

All Teryair air motors are also available in Stainless Steel. Such motors are suitable in applications where hygiene is important and frequent cleaning and sterilization are needed. SS Motors can also be ordered as Lube Free. The Nomenclature table shows all options.