

EW1706P SERIES

MAX POWER
upto 170 bar

FLOW RATE
15.2 litres/min

MOTOR POWER
4.4 kW



EW1706P

HIGH PRESSURE WATER JET EQUIPMENT

Teryair Electric High pressure water jets are designed for general cleaning tasks in multiple industries. These high pressure water jets are used for daily cleaning of machinery, vehicles, and buildings, for the removal of stubborn dirt, stains and other debris from multiple surfaces. All pump materials, fittings and pipes in contact with water are non corrosive.

Variants

EW1706 P – 220V 3ph
EW1706 P – 440V 3ph



Approvals and Certifications

All Teryair Electric Needle Guns are CE marked and manufactured under an ISO 9001:2015 Quality system – SGS.



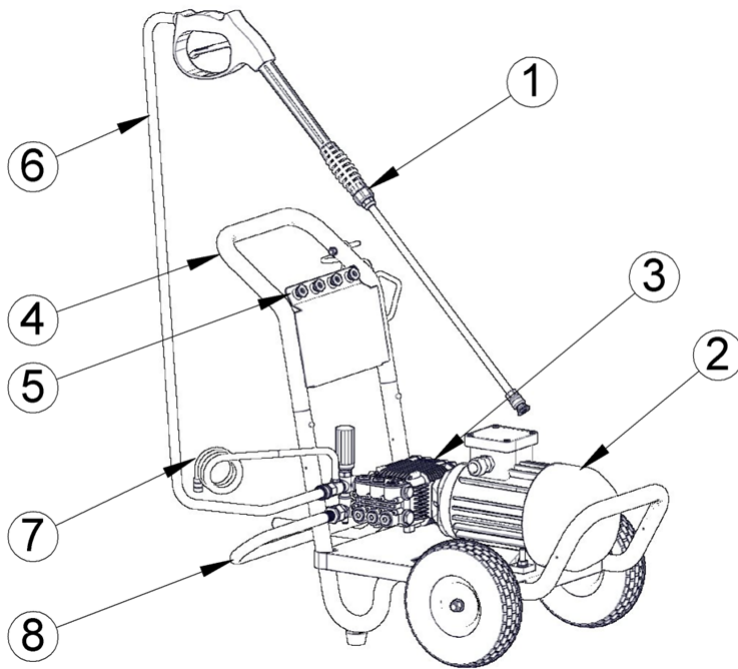
Added Features

Auto Bypass
Quick change tips
Adjustable output pressure
Ceramic Coated Pistons
Easy maintenance

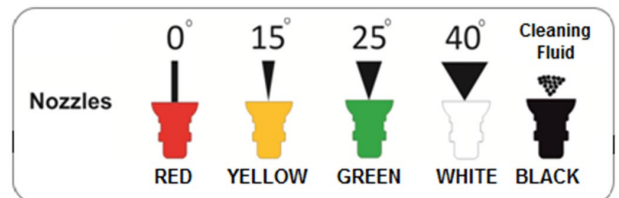
Technical Data EW1706P Series

Teryair Model No	EW1706P -220V	EW1706P - 440V
IMPA Code	59 08 53	59 08 54
Power Supply	Three Phase, 220V, 60 Hz	Three Phase, 440V, 60 Hz
Powe Consumption	6 HP (4.4 KW)	6 HP (4.4 KW)
Working Pressure	170 Bar	170 Bar
Flow Capacity	15.2 ltr/min	15.2 ltr/min
Pump Number	Pe250	Pe250
Overall Dimensions	97 x 51 x 76 cm	97 x 51 x 76 cm
Weight	60 Kgs	60 Kgs

Main Components



Spray Tip Details



Technical Data EW1706P Series

Illustration Number	EW1706-220V	EW1706-440V
	59 08 53	59 08 54
1	500mm lance	500mm lance
2	2.2kW-110V-1PH	2.2kW-220V-1PH
3	Pe200	Pe200
4	F1	F1
5	Standard Nozzle Set	Standard Nozzle Set
6	7mm ID X 1.5mtr Plastic Hose	7mm ID X 1.5mtr Plastic Hose
7	6.5mm ID X 1.5mtr	6.5mm ID X 1.5mtr
8	15mm ID X 3 mtr	15mm ID X 3 mtr
9	Cover	Cover
10	MCB-ON/OFF Switch	MCB-ON/OFF Switch

Packing Details

Sr. No	Teryair Part Number	Gross Weight Kgs	Box Dimension		
			Lenght cm	Width cm	Height cm
1	EW-1103-110V	60	77	61	59
2	EW-1103-220V	60	77	61	59
3	EW-1106-220V	63	77	61	59
4	EW-1106-440V	63	77	61	59
5	EW-1706-220V	67	77	61	59
6	EW-1706-440V	67	77	61	59
7	EW-200-220V	85	87	61	61
8	EW 200- 440V	85	87	61	61