

20 PM

MAX POWER

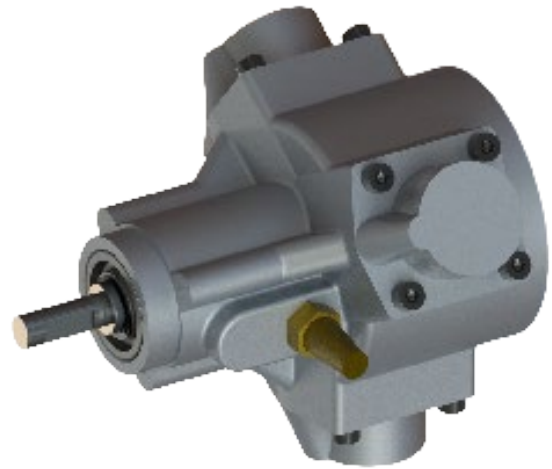
up to 0.7kW, (1 HP)

SPEED

4000rpm

WEIGHT

1 Kgs, 2 lbs



PISTON TYPE AIR MOTOR

Piston Air Motor is comparatively high starting torque, high running torque, and speeds when compared with equivalent power vane motor.



Approvals and Certifications

All Teryair Piston Type Air Motor are CE marked and manufactured under an ISO 9001:2015 Quality system - SGS.



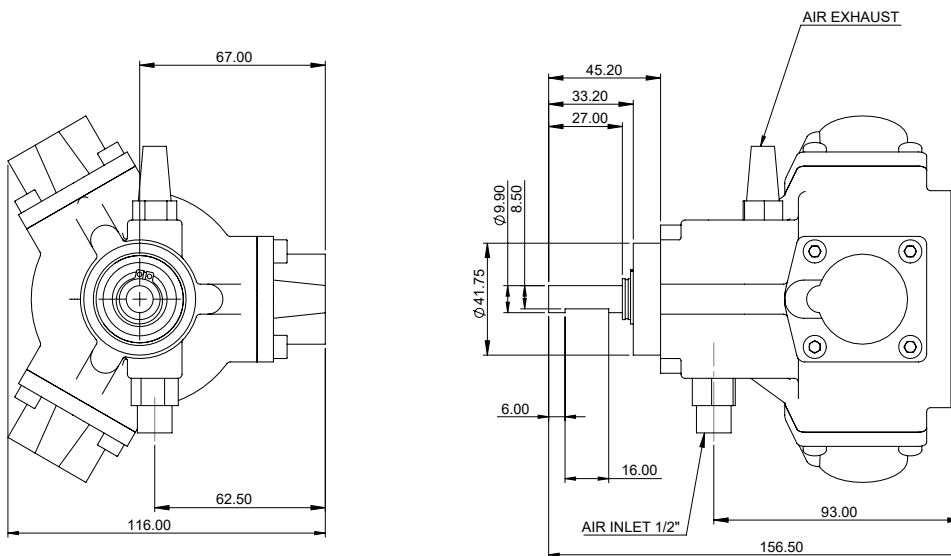
Added Features

Cool Running
Variable Speeds
Load to Stall
Instantly Reversible
available as Lube free
available with SS construction
available with SS + Lube Free

Technical Data 20PM

<i>Power</i>	upto 0.07 kW (0.01 HP)
<i>Air Consumption</i>	10.2 to 30.5 m3/hr (6 to 18 cfm)
<i>Max speed</i>	4000 rpm
<i>Operating Pressure</i>	6 Kg/cm2 (90 PSI)
<i>Motor Weight</i>	1 kgs (2 lbs)

Dimensional Data 20PM



Piston Air Motor Nomenclature

X	XX	X	X	X	X
Size	Motor Type	Mounting	Lubricated or Lube-Free	Material of Construction	Threading on Inlet and Outlet
10	PM - Piston Type	S- Foot Type	A- Lubricated	A - Aluminum	P-BSPP
20		T - Hub			
30		D- IEC	O - Lube Free	S - SS	
		N - NEMA			

For example, 20PMTAAP is a size 20, Piston type, Hub Mounted, Lubricated, Aluminum MOC with BSPP threading

Bill of Materials Paint Stirrer Accessories

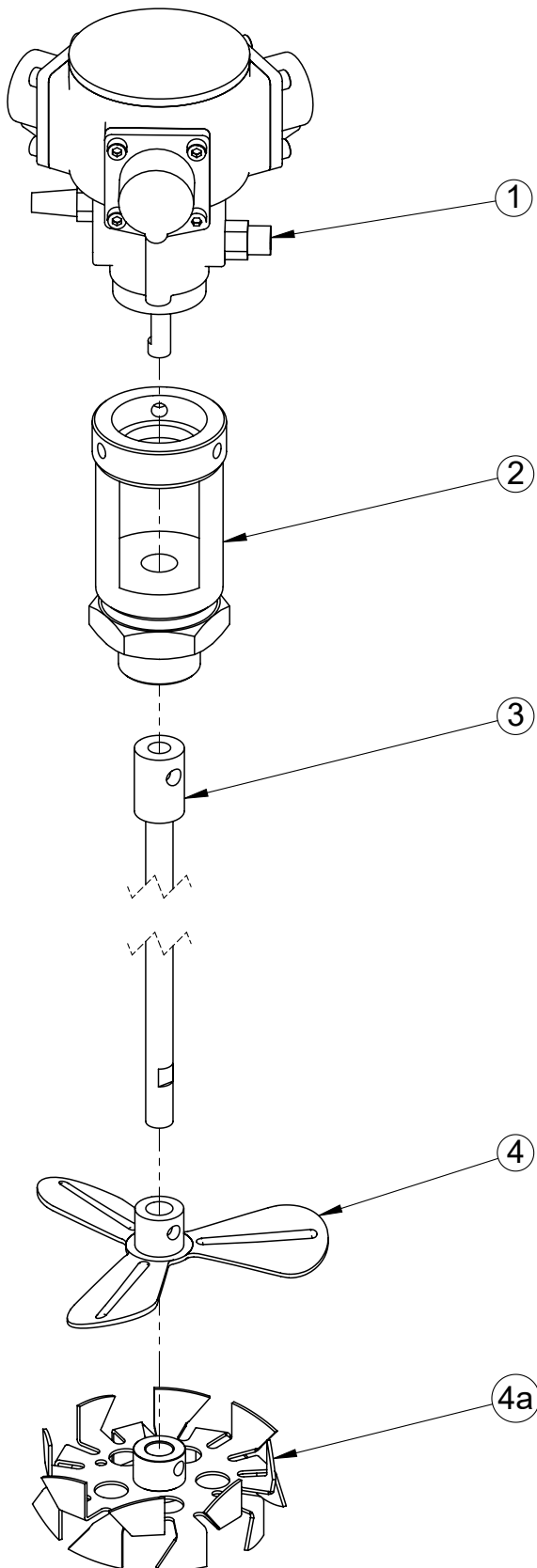


Illustration Number	Description	Part Number
1	RADIAL PISTON AIR MOTOR	20PMTAAP
2	SHAFT HOUSING	270582PS1
3	STIRRING ROD ASSEMBLY	270582PS2
4	3 BLADED IMPELLER	270582PS5
4a	HOLLOW IMPELLER	270582PS6