

SDP 40 SSX

MAX DISCHARGE

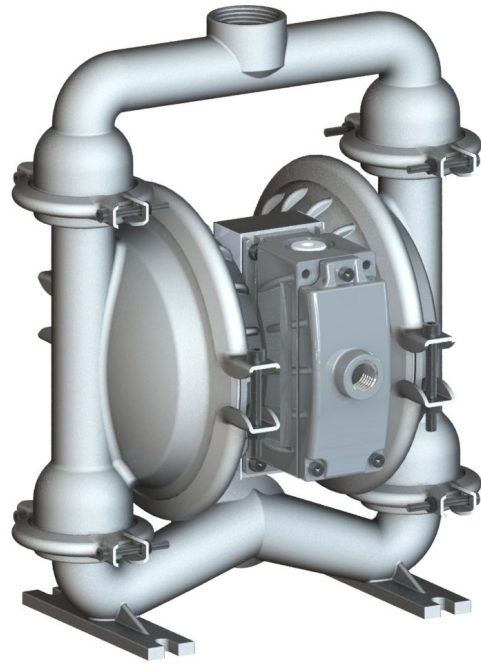
0-273 litres/minute

SIZE, MATERIAL

1-1/2", Stainless Steel 316L

WEIGHT

28.5 Kgs



**AIR OPERATED
DIAPHRAGM
PUMP**

Stainless Steel constructed pumps are used in applications which demand high pumping performance, combinations of hot and corrosive fluids, both acidic and alkali. They are the ultimate choice for durable long life performance. These pumps are usually combined with highly capable and corrosion resistant diaphragms, mainly PTFE and often Viton and Santoprene. With these elastomers they are ideal for pumping of fluids like benzyl diacetone, phosphoric acid, ferric sulfate, isopropyl chloride, transformer oils and many other similar fluids. Excellent choice when pumping highly aggressive fluids such as aromatic or chlorinated hydrocarbons, acids, caustics, ketone and acetates. These pumps find wide applications across industries, some popular industries are Chemicals, Pharma, Food/Beverage and Electronic manufacturing.



**Diaphragm
Options 'X'**

- Neoprene
- Nitrile
- Santoprene
- Hytrel
- Viton
- PTFE



**Approvals and
Certifications**

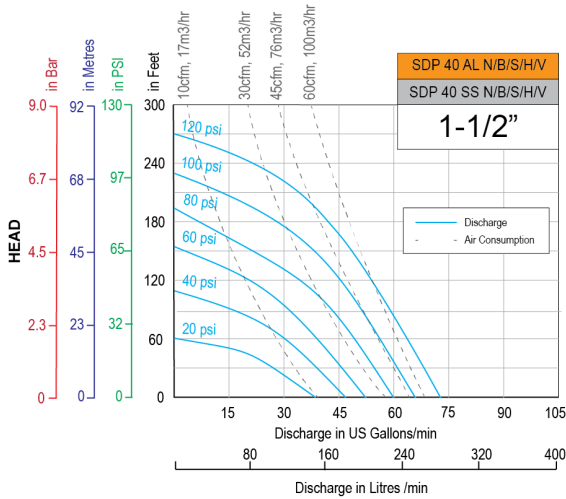
All Teryair pumps are CE marked and manufactured under an ISO 9001:2015 Quality system by SGS. All Teryair aluminum, Ductile iron, and Stainless Steel pumps are explosion-proof Certified (ATEX).



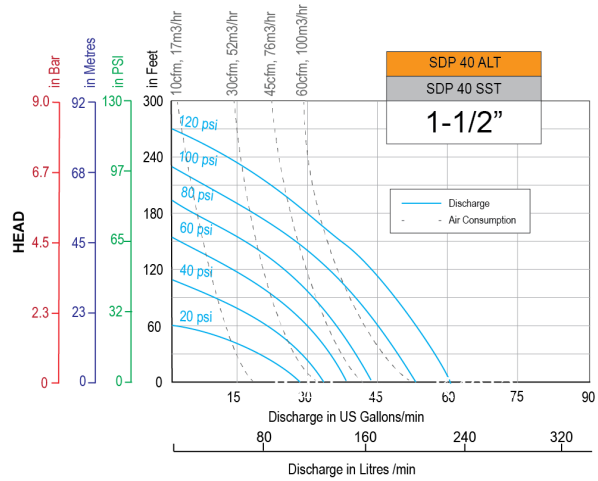
Versatility

This pump handles Viscous fluids, Slurries, Solid laden fluids, Shear Sensitive fluids very well.
 No Priming needed
 No Foaming of fluid pumped
 No Stall damages
 Portable
 Submerged operation capable

Performance Graphs SDP 40 SSN/SSB/SSS/SSH/SSV



Performance Graphs SDP 40 SST

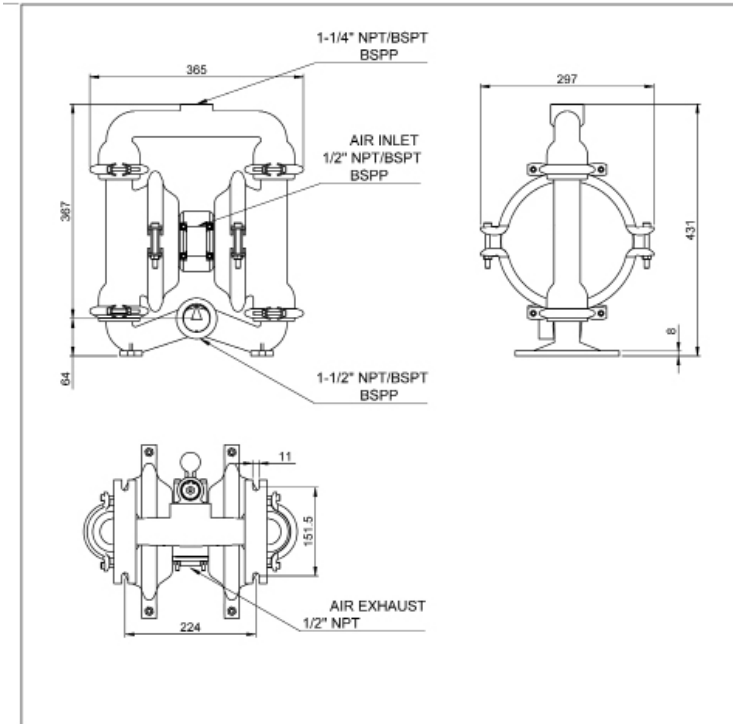


- Performance as measured pumping water at 20degC.
- **Disclaimer:** Actual pump performance may vary depending on number of bends, suction needed and friction in length of discharge piping.
- For guidance on how to select a suitable pump, visit Teryair AODD pump Selection guide.

Technical Data SDP 40SSX

	SDP 40SS with Neoprene / Nitrile / Santoprene / Hytrel / Viton fitments	SDP 40SS with PTFE Fitments
Maximum Discharge	273 Litres/min (72 US gallons/min)	232 Litres/min (61 US gallons/min)
Suction Head Dry	5.5 meters, 18 feet	3.6 meters, 12 feet
Suction Head Wet	8 meters, 26 feet	8.5 meters, 28 feet
Pump Weight	28.5 Kgs, 63 lbs	28.5 Kgs, 63 lbs
Max Solid Passage	4.8 mm (3/16")	4.8 mm (3/16")
Air Distribution System	SDP MaxFlo, MOC aluminium, acetal and CFT seals	SDP MaxFlo, MOC aluminium, acetal and CFT seals
Balls / Seals	Santoprene or Hytrel or Nitrile or Neoprene or Viton	PTFE
Air Inlet	1/2" NPT/BSPT/BSPP	1/2" NPT/BSPT/BSPP
Fluid Inlet, Fluid Outlet	1-1/2" NPT/BSPT/BSPP, 1-1/4" NPT/BSPT/BSPP	1-1/2" NPT/BSPT/BSPP, 1-1/4" NPT/BSPT/BSPP

Dimensions SDP 40 SSX



Pump Nomenclature







XX	XX	XX	X	X	X
Air Valve Type	Pump Size	Material of Construction	Material of Diaphragm	Bolted or Clamped	Threading on Inlet and Outlet
DP - Classic	06 - 1/4"	AL - Aluminium	B - Nitrile N - Neoprene S - Santoprene T - PTFE V - Viton H - Hytrel	B - Bolted C - Clamped	R - NPT
	12 - 1/2"				G - BSPT
ADP - Advanced	25 - 1"	SS - Stainless Steel 316L			
SDP - MaxFlo	40 - 1 - 1/2"	PP - Polypropylene			P - BSPP
	50 - 2"	CI - Ductile Iron			F - Flanged
	75 - 3"				
	100 - 4"				

Air Valve Replacement Kits for SDP 40 SSX / ALX Pumps

Air Valve Replacement Kit consists of a complete operational air valve assembly complete. Consisting of Air Valve Body, End Plates, Spool and all seals, o rings and gaskets.

Replacement KIT Ordering No	Suitable for
203 97 01	NPT Fitted ALX or SSX Pumps With Any Diaphragm Variant BSPT Fitted ALX or SSX Pumps With Any Diaphragm Variant BSPP Fitted ALX or SSX Pumps With Any Diaphragm Variant

Diaphragm specifications

Neoprene		An excellent general-purpose diaphragm for use in non-aggressive applications such as water-based slurries, well water or sea water. Exhibits excellent flex life and low cost. Temperature range -18°C to +93°C (0°F to +200°F)
Nitile		Excellent for applications involving petroleum / oil-based fluids such as leaded gasolines, fuel oils, non-synthetic hydraulic oils, kerosene, turpentine and motor oils. Temperature range -12°C to +82°C (+10°F to +180°F)
Santoprene		Good abrasion resistance. Low cost. Can handle mild acids and alkalis well. Excellent low cost alternative to ptfе. Excellent suction capabilities Excellent general purpose diaphragm. Temperature range -40°C to +107°C (-40F to +225°F)
Hytrel		Good abrasion resistance. Low cost. . Excellent suction capabilities Good general purpose diaphragm. Temperature range -29°C to +104°C (-20°F to +220°F)
Viton		Excellent for use in applications requiring extremely hot temperatures. May also be used with aggressive fluids such as aromatic or chlorinated hydrocarbons and highly aggressive acids. Especially where high suction lift is important. Temperature range -40°C to +175°C (-40°F to +350°F)
PTFE		Excellent choice when pumping highly aggressive fluids such as aromatic or chlorinated hydrocarbons, acids, caustics, ketones and acetates. Temperature range +4°C to +104°C (+40°F to +220°F)

note: not all diaphragms may be available with this pump, see page 1 for diaphragm options for this pump.

Repair Kits for SDP 40 SSX / ALX Pumps

Repair Kits consist of everything you need to quickly restore the pump. Repair Kits contain one set of Diaphragms, one set of balls, one set of seats or seats+Orings, secondary shaft complete with seals, air valve spool complete with fitted seals, all gaskets, end caps with fitted rings and other wear parts needed to rebuild the pump. Repair kits are threading independant.

Repair KIT Ordering No	Suitable for
207 97 02N	SDP 40 SSN / ALN
207 97 02B	SDP 40 SSB / ALB
207 97 02S	SDP 40 SSS / ALS
207 97 02H	SDP 40 SSH / ALH
207 97 02V	SDP 40 SSV / ALV
207 97 02T	SDP 40 SST / ALT

SUMMARY FOR THE ATEX RATING FOR TERYAIR AODD MODELS

Pump Size	Series	Wetted Materials	Center Section	Diphargm Materials	ATEX Rating
06 (1/4")	SDP	Aluminium	Aluminium	Neoprene	II 2 GD Ex h IIC T6 Gb Ex h IIIC T85°C Db (IP65)
				Buna-N	
				Viton-FKM	II 2 GD Ex h IIC T3 Gb Ex h IIIC T200°C Db (IP65)
				Sentoprene	II 2 GD Ex h IIC T5 Gb Ex h IIIC T100°C Db (IP65)
				Hytrel	
				PTFE	
		Stainless Steel	Stainless Steel	Neoprene	II 2 GD Ex h IIC T6 Gb Ex h IIIC T85°C Db I M2 Ex h I Mb (IP65)
				Buna-N	
				Viton-FKM	II 2 GD Ex h IIC T3 Gb Ex h IIIC T200°C Db (IP65) I M2 Ex h I Mb (IP65)
				Sentoprene	II 2 GD Ex h IIC T5 Gb Ex h IIIC T100°C Db (IP65) I M2 Ex h I Mb (IP65)
				Hytrel	
				PTFE	
12 (1/2")	DP/SDP	Aluminium	Aluminium	Neoprene	II 2 GD Ex h IIC T6 Gb Ex h IIIC T85°C Db (IP65)
				Buna-N	
				Viton-FKM	II 2 GD Ex h IIC T3 Gb Ex h IIIC T200°C Db (IP65)
				Sentoprene	II 2 GD Ex h IIC T5 Gb Ex h IIIC T100°C Db (IP65)
				Hytrel	
				PTFE	
	SDP	Stainless Steel	Stainless Steel	Neoprene	II 2 GD Ex h IIC T6 Gb Ex h IIIC T85°C Db I M2 Ex h I Mb (IP65)
				Buna-N	
				Viton-FKM	II 2 GD Ex h IIC T3 Gb Ex h IIIC T200°C Db (IP65) I M2 Ex h I Mb (IP65)
				Sentoprene	II 2 GD Ex h IIC T5 Gb Ex h IIIC T100°C Db (IP65) I M2 Ex h I Mb (IP65)
				Hytrel	
				PTFE	
25 (1")	DP / SDP	Aluminium / Stainless Steel	Aluminium	Neoprene	II 2 GD Ex h IIC T6 Gb Ex h IIIC T85°C Db (IP65)
				Buna-N	
				Viton-FKM	II 2 GD Ex h IIC T3 Gb Ex h IIIC T200°C Db (IP65)
				Sentoprene	II 2 GD Ex h IIC T5 Gb Ex h IIIC T100°C Db (IP65)
				Hytrel	
				PTFE	

SUMMARY FOR THE ATEX RATING FOR TERYAIR AODD MODELS

Pump Size	Series	Wetted Materials	Center Section	Diphargm Materials	ATEX Rating
40 (1-1/2")	DP / SDP	Aluminium / Stain- less Steel	Aluminium	Neoprene	II 2 GD Ex h IIC T6 Gb Ex h IIIC T85°C Db (IP65)
				Buna-N	
				Viton-FKM	II 2 GD Ex h IIC T3 Gb Ex h IIIC T200°C Db (IP65)
				Sentoprene	II 2 GD Ex h IIC T5 Gb Ex h IIIC T100°C Db (IP65)
				Hytrel	
				PTFE	
50 (2")	DP / SDP	Aluminium / Stain- less Steel	Aluminium	Neoprene	II 2 GD Ex h IIC T6 Gb Ex h IIIC T85°C Db (IP65)
				Buna-N	
				Viton-FKM	II 2 GD Ex h IIC T3 Gb Ex h IIIC T200°C Db (IP65)
				Sentoprene	II 2 GD Ex h IIC T5 Gb Ex h IIIC T100°C Db (IP65)
				Hytrel	
				PTFE	
	SDP	Cast Iron	Cast Iron	Neoprene	II 2 GD Ex h IIC T6 Gb Ex h IIIC T85°C Db I M2 Ex h I Mb (IP65)
				Buna-N	
				Viton-FKM	"II 2 GD Ex h IIC T3 Gb Ex h IIIC T200°C Db (IP65) I M2 Ex h I Mb (IP65)"
				Sentoprene	II 2 GD Ex h IIC T5 Gb Ex h IIIC T100°C Db (IP65) I M2 Ex h I Mb (IP65)
				Hytrel	
				PTFE	
75 (3")	DP / SDP	Aluminium	Aluminium	Neoprene	II 2 GD Ex h IIC T6 Gb Ex h IIIC T85°C Db (IP65)
				Buna-N	
				Viton-FKM	II 2 GD Ex h IIC T3 Gb Ex h IIIC T200°C Db (IP65)
				Sentoprene	II 2 GD Ex h IIC T5 Gb Ex h IIIC T100°C Db (IP65)
				Hytrel	
				PTFE	
	SDP	Cast Iron	Cast Iron	Neoprene	II 2 GD Ex h IIC T6 Gb Ex h IIIC T85°C Db I M2 Ex h I Mb (IP65)
				Buna-N	
				Viton-FKM	II 2 GD Ex h IIC T3 Gb Ex h IIIC T200°C Db (IP65) I M2 Ex h I Mb (IP65)
				Sentoprene	II 2 GD Ex h IIC T5 Gb Ex h IIIC T100°C Db (IP65) I M2 Ex h I Mb (IP65)
				Hytrel	
				PTFE	