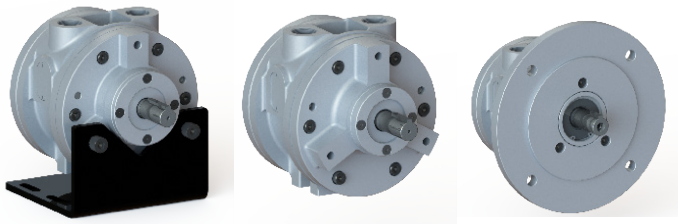


Technical Data

6VM Ex Pneumatic Vane Motor

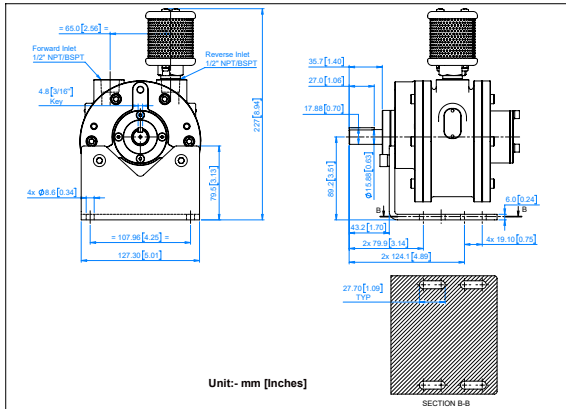


Foot Face IEC / Nema



Foot with Aluminium end plate Face with Aluminium end plates IEC/Nema with Aluminium end plate

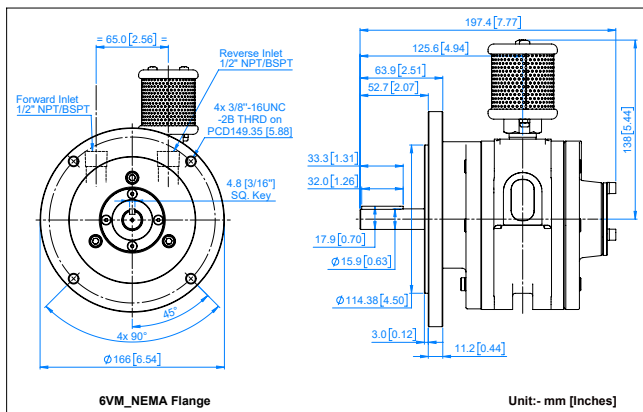
Dimensions Data - Foot Mounting-6VM



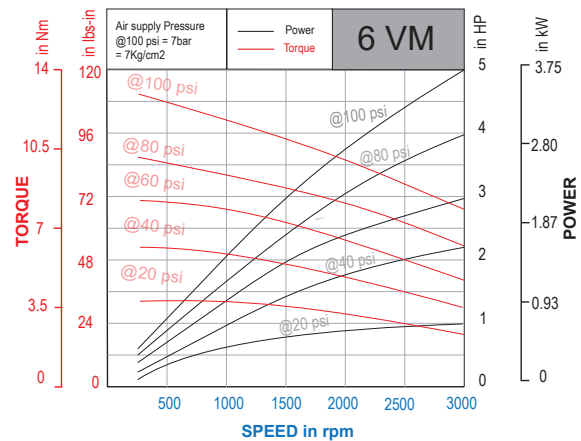
PERFORMANCE

Max Output Power	3kW (4hp)
Speed at Max Power	3000 RPM
Maximum Torque	13Nm (115lb-in)
Air Consumption at Max Power	228m ³ /hr (134cfm)
Ambient Safe Operating Temperature	
• Non Explosive Zone	0°C to 120°C
• Explosive Zone	0°C to 40°C
Maximum Allowable Operating Speed	
In any Direction	3000 RPM
Working Pressure	7kg/cm ² (100 psi)

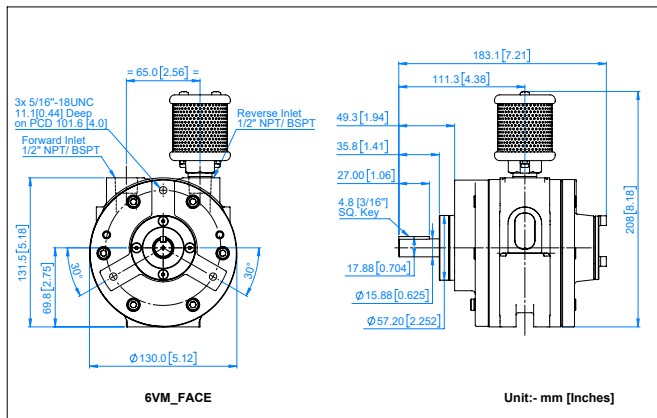
Dimensions Data - Nema Mounting-6VM



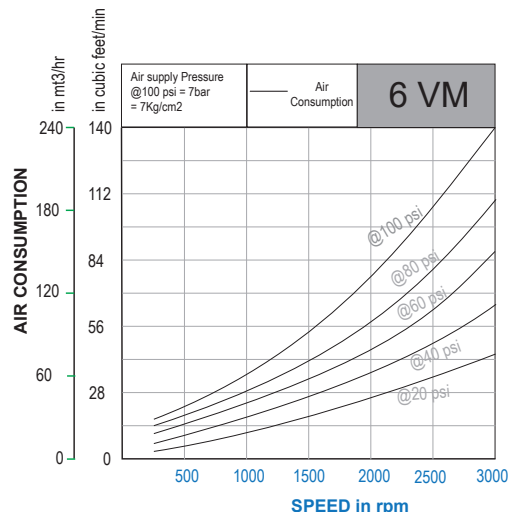
Power & Torque Graph



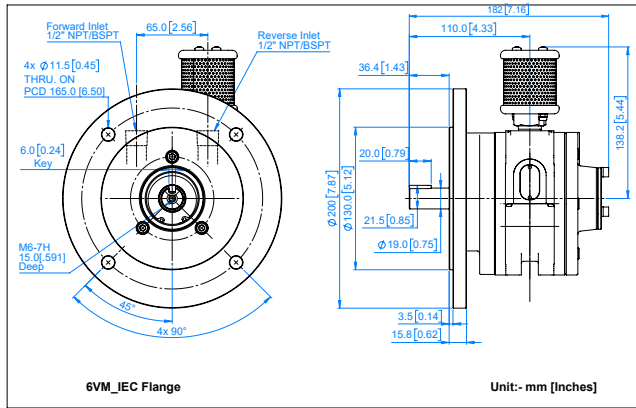
Dimensions Data - Face Mounting-6VM



Air Consumption Graph



Dimensions Data - IEC Mounting-6VM



Weight & Finish

Air Motor Type	Weight	Finish
Foot Mounting	9.3 kg (20.5 lbs)	Silver
NEMA Mount	9.5 kg (20.9 lbs)	
Face Mounting	8.6 kg (19.0 lbs)	
IEC Mount	10.5 kg (23.1 lbs)	Silver+Black End plates
Foot Mounting with Aluminium End plates	7.0 kg (15.4 lbs)	
NEMA Mount with Aluminium End plates	7.4 kg (16.3 lbs)	
Face Mounting with Aluminium End plates	6.5 kg (14.3 lbs)	
IEC Mount with Aluminium End plates	8.7 kg (19.2 lbs)	

X	X	X	X	X	X	X	X	X
Size	Motor Type	Mounting	Lubricated or Lube-Free	Material of Construction	Explosion Proof	Threading on Inlet and Outlet	Direction of Rotation	No of Vanes
1	VM-Vane Type Motor	L- Face Type	O - Lube Free	L - SG Iron	EX	R- NPT	C - Clockwise	4
2		S- Foot Type		S - Stainless Steel		G - BSPT	A - Anticlockwise	6
4		T - Hub		H - SGI Housing with Aluminum End Plates		P - BSPP	R - Reversible	8
6		D - IEC Flange Type						
8		N - NEMA Flange Type						
16								

For example

- 4VMLOLEXRR4 is a size 4, Vane type, Face Mounted, SG Iron MOC. Explosion Proof, NPT Threading, Reversible with 4 Vanes
- 4VMLOLEXGR8 is a Size 4, Vane type, Face Mounted, SG Iron MOC, Explosion Proof, BSPT Threading, Reversible with 8 Vanes
- 1VMTOLEXRA4 is a Size 1, Vane type, Hub Mounted, SG Iron MOC, Explosion Proof, NPT Threading, Anti-clockwise with 4 Vanes
- 2VMTOHEXRR4 is a Size 2, Vane type, Hub Mounted, SG Iron Hsg. with Aluminium End Plates, Explosion Proof, NPT Threading, reversible with 4 Vanes

Ex Code

Model : 1VM Series, 2VM Series, 4VM Series, 6VM Series.

- ⊕ II 2 GD Ex h IIC T6 Gb
- ⊕ II 2 GD Ex h IIIC T85°C Db

Model : 8VM Series, and 16VM Series

- ⊕ II 2GD Ex h IIC T4 Gb
- ⊕ II 2GD Ex h IIIC T135°C Db

Amb. Temp (+1° C to +40° C)

Muffler for 6VM Series

Part No	Description	Thread Connection	Motor Size
8059801	Muffler NPT	1/2" NPT	6VM
8059802	Muffler BSPT	1/2" BSPT	6VM

