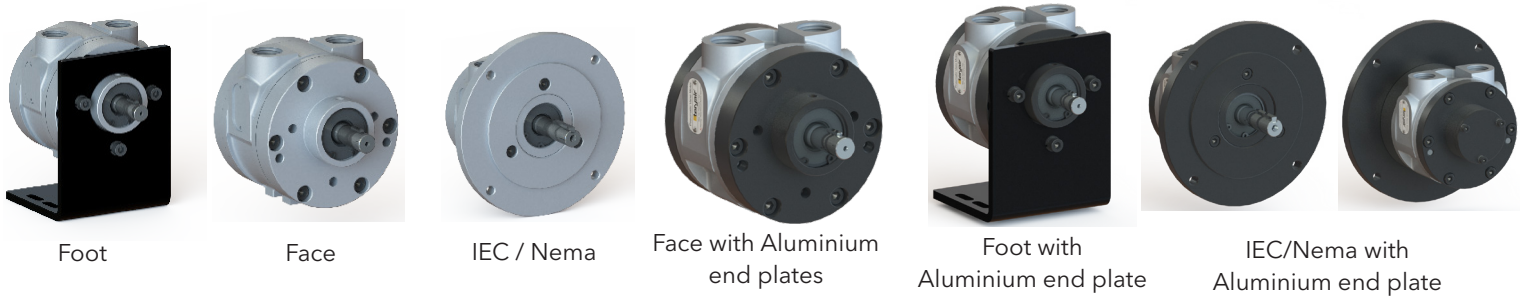
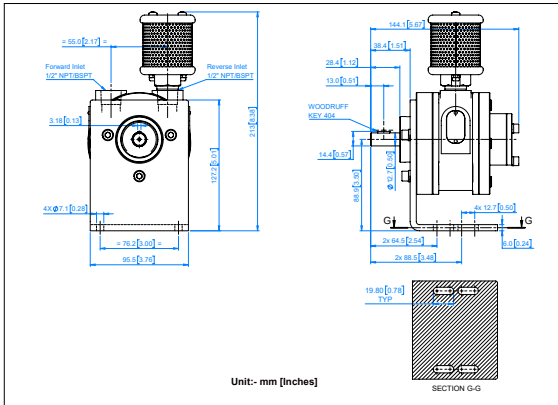


Technical Data

4VM Ex Pneumatic Vane Motor



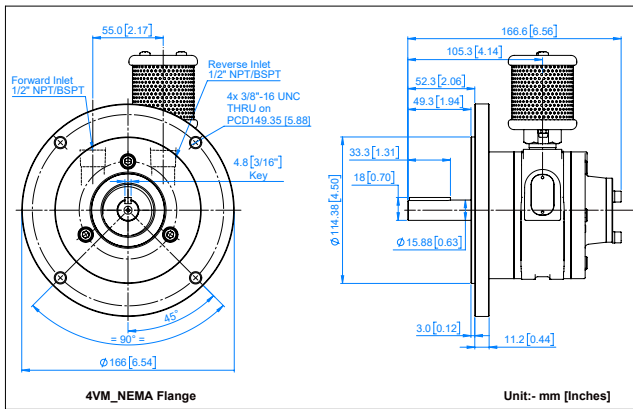
Dimensions Data - Foot Mounting-4VM



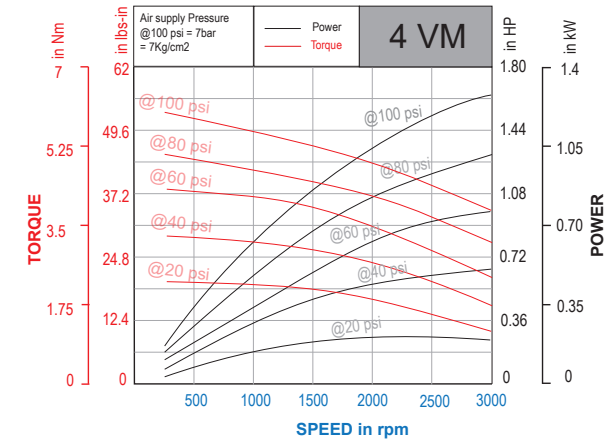
PERFORMANCE

Max Output Power	1.3kW (1.7hp)
Speed at Max Power	3000 RPM
Maximum Torque	6.3Nm (56lb-In)
Air Consumption at Max Power	132.5m ³ /hr (78cfm)
Ambient Safe Operating Temperature	
• Non Explosive Zone	0°C to 120°C
• Explosive Zone	0°C to 40°C
Maximum Allowable Operating Speed	
In any Direction	3000 RPM
Working Pressure	7kg/cm ² (100 psi)

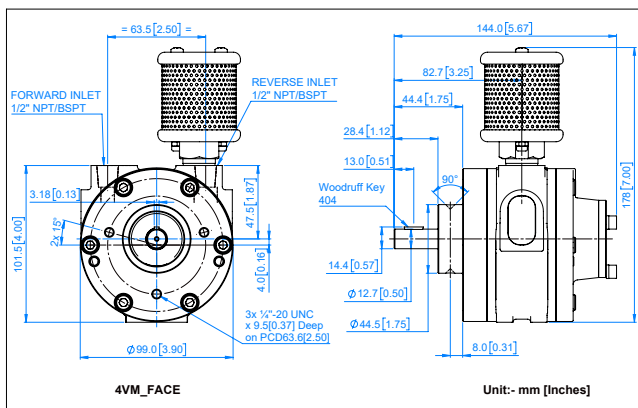
Dimensions Data - Nema Mounting-4VM



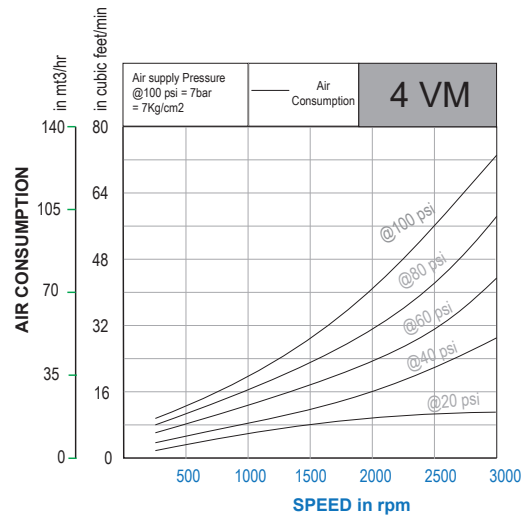
Power & Torque Graph



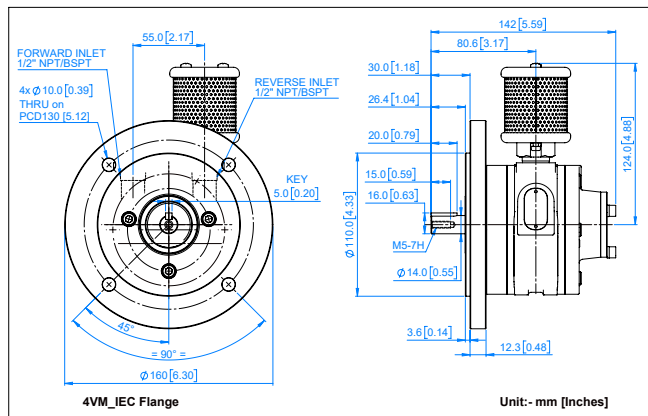
Dimensions Data - Face Mounting-4VM



Air Consumption Graph



Dimensions Data - IEC Mounting-4VM



Weight & Finish

Air Motor Type	Weight	Finish
Foot Mounting	4.8 kgs (10.6 lbs)	Silver
NEMA Mount	6.1 kgs (13.4 lbs)	
Face Mounting	4.0 kgs (8.8 lbs)	
IEC Mount	6.0 kgs (13.2 lbs)	
Foot Mounting with Aluminium End plates	3.9 kgs (8.6 lbs)	Silver+Black End plates
NEMA Mount with Aluminium End plates	5.2 kgs (11.4 lbs)	
Face Mounting with Aluminium End plates	3.1 kgs (6.8 lbs)	
IEC Mount with Aluminium End plates	5.1 kgs (11.2 lbs)	

Nomenclature

X	X	X	X	X	X	X	X	X
Size	Motor Type	Mounting	Lubricated or Lube-Free	Material of Construction	Explosion Proof	Threading on Inlet and Outlet	Direction of Rotation	No of Vanes
1	VM-Vane Type Motor	L- Face Type	O - Lube Free	L - SG Iron	EX	R- NPT	C - Clockwise	4
2		S- Foot Type		S - Stainless Steel		G - BSPT	A - Anticlockwise	6
4		T - Hub		H - SGI Housing with Aluminum End Plates		P - BSPP	R - Reversible	8
6		D - IEC Flange Type						
8		N - NEMA Flange Type						
16								

For example

- 4VMLOLEXRR4 is a size 4, Vane type, Face Mounted, SG Iron MOC. Explosion Proof, NPT Threading, Reversible with 4 Vanes
- 4VMLOLEXGR8 is a Size 4, Vane type, Face Mounted, SG Iron MOC, Explosion Proof, BSPT Threading, Reversible with 8 Vanes
- 1VMTOLEXRA4 is a Size 1, Vane type, Hub Mounted, SG Iron MOC, Explosion Proof, NPT Threading, Anti-clockwise with 4 Vanes
- 2VMTOHERR4 is a Size 2, Vane type, Hub Mounted, SG Iron Hsg. with Aluminium End Plates, Explosion Proof, NPT Threading, reversible with 4 Vanes

Ex Code

Model : 1VM Series, 2VM Series,
4VM Series, 6VM Series.

Ex II 2 GD Ex h IIC T6 Gb
Ex II 2 GD Ex h IIIC T85°C Db

Model : 8VM Series, and 16VM Series

Ex II 2GD Ex h IIC T4 Gb
Ex II 2GD Ex h IIIC T135°C Db

Amb. Temp (+1° C to +40° C)

Muffler for 4VM Series

Part No	Description	Thread Connection	Motor Size
8059801	Muffler NPT	1/2" NPT	4VM
8059802	Muffler BSPT	1/2" BSPT	4VM

