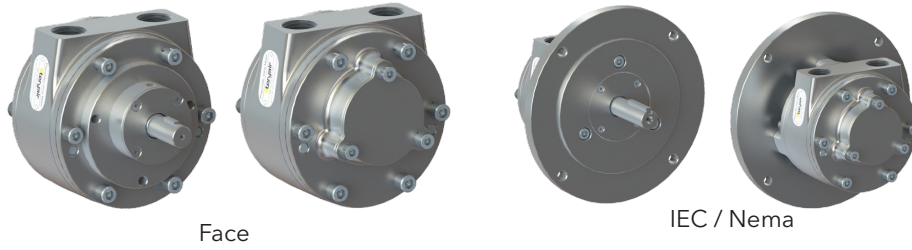


Technical Data

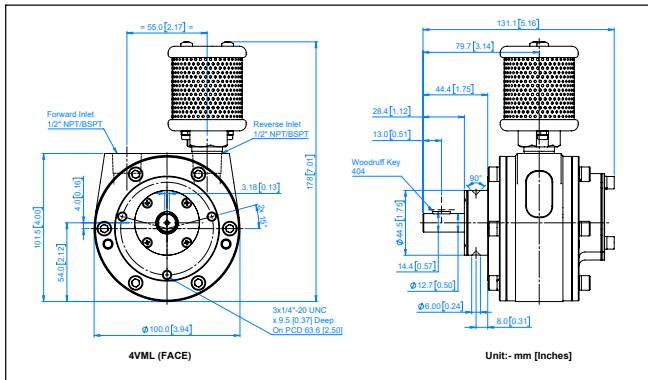
4VM Ex Pneumatic Vane Motor Stainless Steel Construction



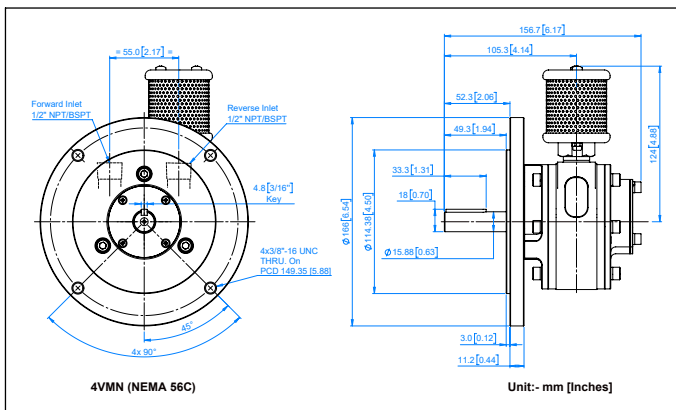
Face

IEC / Nema

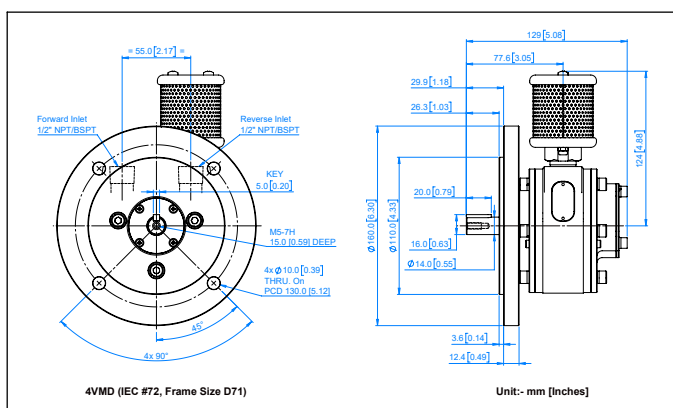
Dimensions Data - Face Mounting-4VM



Dimensions Data - Nema Mounting-4VM



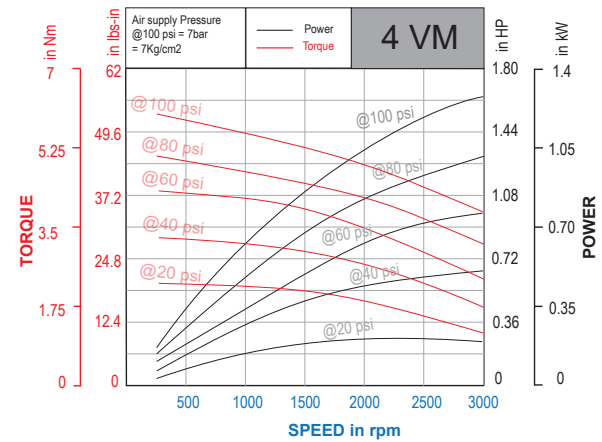
Dimensions Data - IEC Mounting-4VM



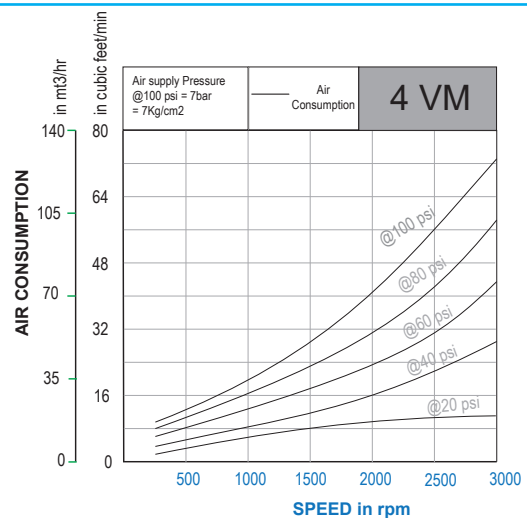
PERFORMANCE

Max Output Power	1.3kW (1.7hp)
Speed at Max Power	3000 RPM
Maximum Torque	6.3Nm (56lb-In)
Air Consumption at Max Power	132.5m ³ /hr (78cfm)
Ambient Safe Operating Temperature	
• Non Explosive Zone	0°C to 120°C
• Explosive Zone	0°C to 40°C
Maximum Allowable Operating Speed In any Direction	3000 RPM
Working Pressure	7kg/cm ² (100 psi)
Material of Construction	
End Plates, Cylinder - CF3M	
Rotor - SS316	
Bearing - SS	
Fasteners - SS 304	

Power & Torque Graph



Air Consumption Graph



Weight & Finish

Air Motor Type	Weight	Finish
NEMA Mount	8.8 kgs (4.0 lbs)	Shining Buff
Face Mounting	13.4 kgs (6.1 lbs)	Shining Buff
IEC Mount	13.4 kgs (6.1 lbs)	Shining Buff

Nomenclature

X	X	X	X	X	X	X	X	X
Size	Motor Type	Mounting	Lubricated or Lube-Free	Material of Construction	Explosion Proof	Threading on Inlet and Outlet	Direction of Rotation	No of Vanes
1	VM-Vane Type Motor	L- Face Type	O - Lube Free	L - SG Iron	EX	R- NPT	C - Clockwise	4
2		S- Foot Type		S - Stainless Steel		G - BSPT	A - Anticlockwise	6
4		T - Hub		H - SGI Housing with Aluminum End Plates		P - BSPP	R - Reversible	8
6		D - IEC Flange Type						
8		N - NEMA Flange Type						
16								

For example

- 4VMLOLEXRR4 is a size 4, Vane type, Face Mounted, SG Iron MOC. Explosion Proof, NPT Threading, Reversible with 4 Vanes
- 4VMLOLEXGR8 is a Size 4, Vane type, Face Mounted, SG Iron MOC, Explosion Proof, BSPT Threading, Reversible with 8 Vanes
- 1VMTOLEXRA4 is a Size 1, Vane type, Hub Mounted, SG Iron MOC, Explosion Proof, NPT Threading, Anti-clockwise with 4 Vanes
- 2VMTOHEXRR4 is a Size 2, Vane type, Hub Mounted, SG Iron Hsg. with Aluminium End Plates, Explosion Proof, NPT Threading, reversible with 4 Vanes

Ex Code

Model : 1VM-SS Series, 2VM-SS Series,
4VM-SS Series, 6VM-SS Series.

- Ex II 2 GD Ex h IIC T6 Gb
- Ex II 2 GD Ex h IIIC T85°C Db

Amb. Temp (+1° C to +40° C)

Muffler for 4VM Series

Part No	Description	Thread Connection	Motor Size
8059804	Muffler NPT	1/2" NPT	4VM
8059805	Muffler BSPT	1/2" BSPT	4VM

